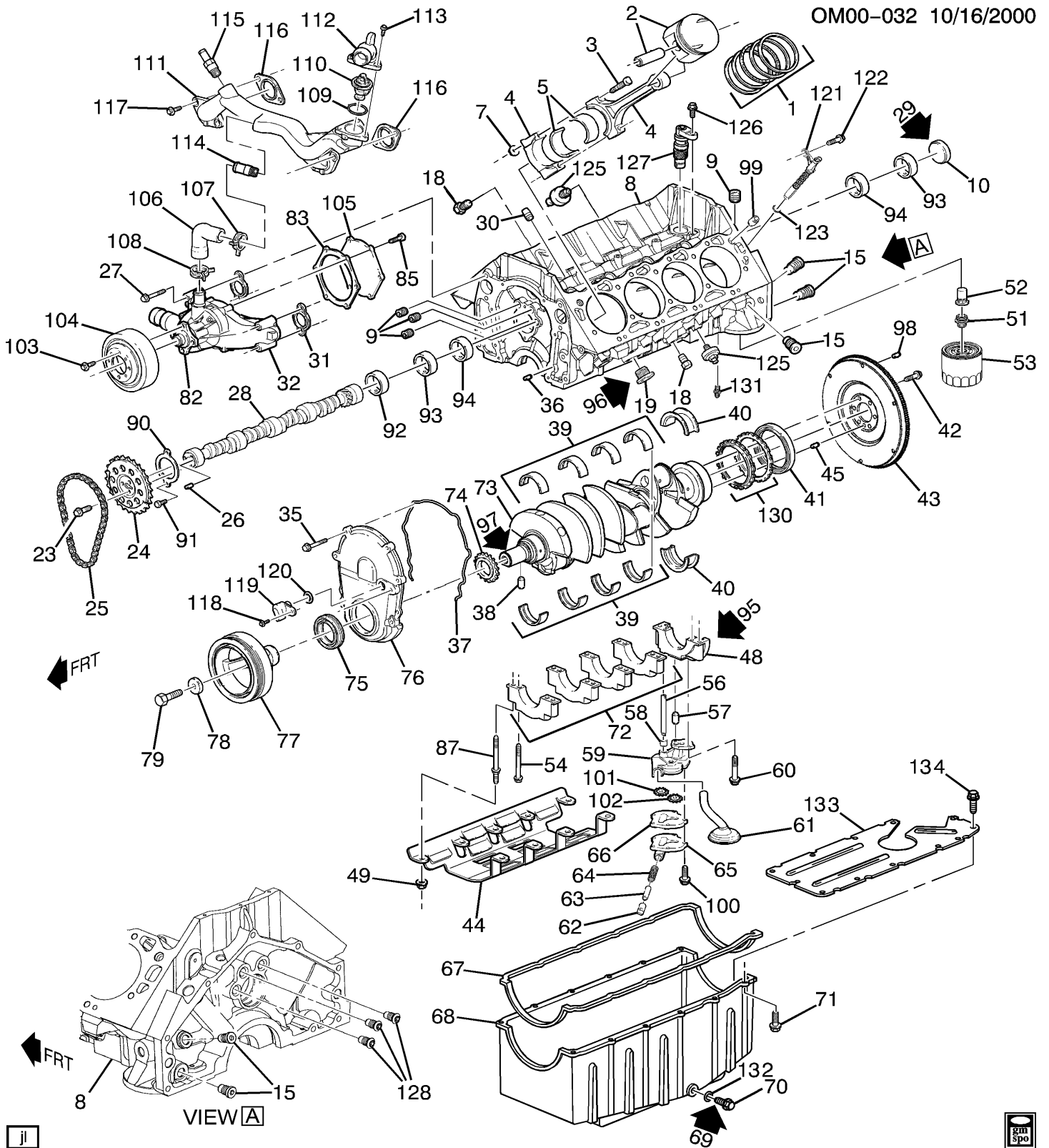




8.1L L4 OEM PARTS LIST

ILLUSTRATION INDEX

TITLE	PAGE
I ENGINE ASM - V8 PART 1 (L18)(8.1L)(496 CID)	0-158
I ENGINE ASM - V8 PART 2 (L18)(8.1L)(496 CID)	0-173



2001-2004 I ENGINE ASM-V8 PART 1 (L18)(8.1G)(496 CID)

OM00-032

1.	0.643	RING KIT,PSTN(STD)(*1,2,3,4,5)(ALSO PART OF #1) (STD)	01 - 04 I (L18)	8 88894226
----	-------	--	-----------------	------------

	0.643	RING KIT,PSTN(STD)(*10,11,12,13,14)(ALSO PART OF #1)(STD)	04	I (L18)	8	88894226
	0.643	RING KIT,PSTN(STD)(*16,17,18,19,20)(ALSO PART OF #1)(STD)	04	I (L18)	8	88894226
	0.643	RING KIT,PSTN(0.030" O/S)(*1,2,3,4,5)(ALSO PART OF #1)(0.030" O.S.)	01 - 04	I (L18)	8	88893910
	0.643	RING KIT,PSTN(0.030" O/S)(*10,11,12,13,14)(ALSO PART OF #1)(0.030" O.S.)	04	I (L18)	8	88893910
2.	0.629	PISTON,(W/CONN ROD)(*1,2,3,4,5)(INCLS 1,2,3,4,7)(STD)(PISTON IS PRESS PIN DESIGN)	01 - 04	I (L18)	LH	12569473
	0.629	PISTON,(W/CONN ROD)(*1,2,3,4,5)(INCLS 1,2,3,4,7)(STD)(PISTON IS PRESS PIN DESIGN)	01 - 04	I (L18)	RH	12569474
	0.629	PISTON,(W/CONN ROD)(*10,11,12,13,14)(INCLS 1,2,3,4,7)(STD)(PISTON IS PRESS PIN DESIGN)	04	I (L18)	LH	12569473
	0.629	PISTON,(W/CONN ROD)(*10,11,12,13,14)(INCLS 1,2,3,4,7)(STD)(PISTON IS PRESS PIN DESIGN)	04	I (L18)	RH	12569474
	0.629	PISTON,(W/CONN ROD)(0.030" O.S.)(*1,2,3,4,5)(INCLS 1,2,3,4,7)(INCLS:ROD,CAP,BOLT,NUT,RINGS,LUBRICANT)	01 - 04	I (L18)	LH	12569477
	0.629	PISTON,(W/CONN ROD)(0.030" O.S.)(*1,2,3,4,5)(INCLS 1,2,3,4,7)(0.030" O.S.)(INCLS:ROD,CAP,BOLT,NUT,RINGS,LUBRICANT)	01 - 04	I (L18)	RH	12569478
	0.629	PISTON,(W/CONN ROD)(0.030" O.S.)(*10,11,12,13,14)(INCLS 1,2,3,4,7)(INCLS:ROD,CAP,BOLT,NUT,RINGS,LUBRICANT)	04	I (L18)	LH	12569477
	0.629	PISTON,(W/CONN ROD)(0.030" O.S.)(*10,11,12,13,14)(INCLS 1,2,3,4,7)(0.030" O.S.)(INCLS:ROD,CAP,BOLT,NUT,RINGS,LUBRICANT)	04	I (L18)	RH	12569478
	0.629	PISTON>(*16,17,18,19,20)(FOR USE WITH FLOATING PIN PISTON DESIGN ONLY)	04	I (L18)	8	12583276
	0.636	PIN,PSTN(*16,17,18,19,20)(FOR USE WITH FLOATING PIN PISTON DESIGN ONLY)	04	I (L18)	8	12583280
	0.639	RETAINER,PSTN PIN(*16,17,18,19,20)(FOR USE WITH FLOATING PIN PISTON DESIGN ONLY)	04	I (L18)	8	12583284
3.	0.623	BOLT,CONN ROD(*1,2,3,4,5)(ALSO PART OF 2)	01 - 04	I (L18)	16	12556558
	0.623	BOLT,CONN ROD(*10,11,12,13,14)(ALSO PART OF 2)	04	I (L18)	16	12556558
	0.623	BOLT,CONN ROD(*16,17,18,19,20)(ALSO PART OF 2)	04	I (L18)	16	12556558
4.	0.603	ROD,CONN(*16,17,18,19,20)(FOR USE FLOTING PIN DESIGN ONLY)(FOR USE WITH FLOATING PIN PISTON DESIGN ONLY)	04	I (L18)	8	12583281
5.	0.616	BEARING KIT,CONN ROD(*1,2,3,4,5)(STD)	01 - 04	I (L18)	8	88894270
	0.616	BEARING KIT,CONN ROD(*10,11,12,13,14)(STD)	04	I (L18)	8	88894270
	0.616	BEARING KIT,CONN ROD(*16,17,18,19,20)(STD)	04	I (L18)	8	88894270

7.	0.626	NUT,CONN ROD(*1,2,3,4,5)(ALSO PART OF 4)	01 - 04	I (L18)	16	12556559
	0.626	NUT,CONN ROD(*10,11,12,13,14)(ALSO PART OF 4)	04	I (L18)	16	12556559
	0.626	NUT,CONN ROD(*16,17,18,19,20)(ALSO PART OF 4)	04	I (L18)	16	12556559
8.	0.000A	ENGINE,GASOLINE(GOODWRENCH)(*11,12)(SERVICE NOTE:MAY REQUIRE FLYWHEEL TO BE TRANSFERRED FROM ORIGINAL ENGINE)	04	I (L18)	1	89017489
	0.000A	ENGINE,GASOLINE(GOODWRENCH)(*13,14)(SERVICE NOTE:MAY REQUIRE FLYWHEEL TO BE TRANSFERRED FROM ORIGINAL ENGINE)	04	I (L18)	1	89017307
	0.000A	ENGINE,GASOLINE(GOODWRENCH)(*17,18)(SERVICE NOTE:MAY REQUIRE FLYWHEEL TO BE TRANSFERRED FROM ORIGINAL ENGINE)	04	I (L18)	1	89017489
	0.000A	ENGINE,GASOLINE(GOODWRENCH)(*19,20)(SERVICE NOTE:MAY REQUIRE FLYWHEEL TO BE TRANSFERRED FROM ORIGINAL ENGINE)	04	I (L18)	1	89017307
	0.000A	ENGINE,GASOLINE(GOODWRENCH)(*2,3)(SERVICE NOTE:MAY REQUIRE FLYWHEEL TO BE TRANSFERRED FROM ORIGINAL ENGINE)	01	I (L18)	1	12568419
	0.000A	ENGINE,GASOLINE(GOODWRENCH)(*2,3)(SERVICE NOTE:MAY REQUIRE FLYWHEEL TO BE TRANSFERRED FROM ORIGINAL ENGINE)	02 - 03	I (L18)	1	89017234
	0.000A	ENGINE,GASOLINE(GOODWRENCH)(*2,3)(SERVICE NOTE:MAY REQUIRE FLYWHEEL TO BE TRANSFERRED FROM ORIGINAL ENGINE)	04	I (L18)	1	89017489
	0.000A	ENGINE,GASOLINE(GOODWRENCH)(*4,5)(SERVICE NOTE:MAY REQUIRE FLYWHEEL TO BE TRANSFERRED FROM ORIGINAL ENGINE)	01	I (L18)	1	12568420
	0.000A	ENGINE,GASOLINE(GOODWRENCH)(*4,5)(SERVICE NOTE:MAY REQUIRE FLYWHEEL TO BE TRANSFERRED FROM ORIGINAL ENGINE)	02 - 03	I (L18)	1	89017235
	0.000A	ENGINE,GASOLINE(GOODWRENCH)(*4,5)(SERVICE NOTE:MAY REQUIRE FLYWHEEL TO BE TRANSFERRED FROM ORIGINAL ENGINE)	04	I (L18)	1	89017307
9.	1.531	PLUG,ENG BLK OIL GAL(1/4-18X.428 HEX)(1/4-18)(0.034)	01 - 03	I (L18)	3	00361997
	1.531	PLUG,ENG BLK OIL GAL(1/4-18X.41)(STEEL,ZP 4342M)(AUTO HEX SOC DRN)(8.921)	01 - 03	I (L18)	2	00444777
	1.531	PLUG,ENG BLK OIL GAL(1/4-18X.41)(STEEL,ZP 4342M)(AUTO HEX SOC DRN)(8.921)	04	I (L18)	1	00444777
10.	0.553	PLUG,CM/SHF BRG HOLE(*1,2,3,4,5)	01 - 04	I (L18)	1	03999200
	0.553	PLUG,CM/SHF BRG HOLE(*10,11,12,13,14)	04	I (L18)	1	03999200
	0.553	PLUG,CM/SHF BRG HOLE(*16,17,18,19,20)	04	I (L18)	1	03999200
15.	1.531	PLUG,ENG BLK OIL GAL(PLUG-SEALING,3/8-18,.41)	01	I (L18)	3	11519859

		LEN,STEEL,4345M,3/4 DOG PT,THD SEALER)			
1.531		PLUG ,ENG BLK OIL GAL(PLUG-SEALING,3/8-18,.41 LEN,STEEL,4345M,3/4 DOG PT,THD SEALER)	02 - 04	I (L18)	3 11519859
1.531		PLUG ,ENG BLK OIL GAL(PLUG-COUNTERSUNK HD,M14X1.5X21,18 OD,5.8,GM4345M(YELLOW) (METRIC/NEAR CAMSHAFT BORE)	01	I (L18)	3 11519832
1.531		PLUG ,ENG BLK OIL GAL(PLUG-SQ SOCKET,1/4-18 PTF (SHORT)THD,.41 LONG,STL,ZP 4342M 20U32- ENGLISH THREADS)(1/4-18X.41)(STEEL,ZP 4342M) (AUTO HEX SOC DRN)(8.921)	01 - 02	I (L18)	3 00444777
1.531		PLUG ,ENG BLK OIL GAL(PLUG-SQ SOCKET,1/4-18 PTF (SHORT)THD,.41 LONG,STL,ZP 4342M 20U32- ENGLISH THREADS)(1/4-18X.41)(STEEL,ZP 4342M) (AUTO HEX SOC DRN)(8.921)	03 - 04	I (L18)	3 00444777
18.	0.034	PLUG ,ENG BLK COOL DRN HOLE(*1,2,3,4,5)(WAT DRN HOLE,)(M14X1.5X21.5)	01 - 04	I (L18)	2 11519834
	0.034	PLUG ,ENG BLK COOL DRN HOLE(*10,11,12,13,14) (WAT DRN HOLE,)(M14X1.5X21.5)	04	I (L18)	2 11519834
	0.034	PLUG ,ENG BLK COOL DRN HOLE(*16,17,18,19,20) (WAT DRN HOLE,)(M14X1.5X21.5)	04	I (L18)	2 11519834
	0.034	PLUG ,ENG BLK COOL DRN HOLE(1/4- 18X0.56,STEEL,PC)(WAT DRN HOLE,)(1/4-18X0.56) (STEEL)(AC-DELCO #14084945)	01 - 02	I (L18)	1 14084945
19.	0.034	PLUG ,ENG BLK COOL DRN HOLE(*1,2,3,4,5) (M28X1.25X12.4, BRASS)	01	I (L18)	LH 12561663
	0.034	PLUG ,ENG BLK COOL DRN HOLE(*1,2,3,4,5)(1/4- 18X0.56,STEEL,PC)(1/4-18X0.56)(STEEL)(AC-DELCO #14084945)	01	I (L18)	1 14084945
	0.034	PLUG ,ENG BLK COOL DRN HOLE(*10,11,12,13,14) (M28X1.25X12.4, BRASS)	04	I (L18)	LH 12561663
23.	0.738	BOLT ,CM/SHF SPKT(*1,2,3,4,5)(8X1.25X25,10.9) (W/WASHER)(USE SEALER 12345382 OR EQUIV IF NEEDED)(8.900)	01 - 04	I (L18)	3 11515757
	0.738	BOLT ,CM/SHF SPKT(*10,11,12,13,14)(8X1.25X25,10.9) (W/WASHER)(USE SEALER 12345382 OR EQUIV IF NEEDED)(8.900)	04	I (L18)	3 11515757
	0.738	BOLT ,CM/SHF SPKT(*16,17,18,19,20)(8X1.25X25,10.9) (W/WASHER)(USE SEALER 12345382 OR EQUIV IF NEEDED)(8.900)	04	I (L18)	3 11515757
24.	0.736	SPROCKET ,CM/SHF(*1)	01	I (L18)	1 12565699
	0.736	SPROCKET ,CM/SHF(*1)	02 - 03	I (L18)	1 12572762
	0.736	SPROCKET ,CM/SHF(*1)	04	I (L18)	1 12575872
	0.736	SPROCKET ,CM/SHF(*10)	04	I (L18)	1 12575872

	0.736	SPROCKET,CM/SHF(*11,12,13,14)	04	I (L18)	1	12575873
	0.736	SPROCKET,CM/SHF(*16)	04	I (L18)	1	12575872
	0.736	SPROCKET,CM/SHF(*17,18,19,20)	04	I (L18)	1	12575873
	0.736	SPROCKET,CM/SHF(*2,3,4,5)	01	I (L18)	1	12568788
	0.736	SPROCKET,CM/SHF(*2,3,4,5)	02 - 03	I (L18)	1	12572763
	0.736	SPROCKET,CM/SHF(*2,3,4,5)	04	I (L18)	1	12575873
25.	0.724	CHAIN,CM/SHF TMG(* 2,3,4,5)	01 - 04	I (L18)	1	12568787
	0.724	CHAIN,CM/SHF TMG(*1)	01 - 04	I (L18)	1	10114177
	0.724	CHAIN,CM/SHF TMG(*10)	04	I (L18)	1	10114177
	0.724	CHAIN,CM/SHF TMG(*11,12,13,14)	04	I (L18)	1	12568787
	0.724	CHAIN,CM/SHF TMG(*16)	04	I (L18)	1	10114177
	0.724	CHAIN,CM/SHF TMG(*17,18,19,20)	04	I (L18)	1	12568787
26.	0.738	PIN,CM/SHF SPKT LOC(*1,2,3,4,5)(1/4X5/8)	01 - 04	I (L18)	1	12554553
	0.738	PIN,CM/SHF SPKT LOC(*10,11,12,13,14)(1/4X5/8)	04	I (L18)	1	12554553
	0.738	PIN,CM/SHF SPKT LOC(*16,17,18,19,20)(1/4X5/8)	04	I (L18)	1	12554553
27.	1.079	BOLT,W/PMP(*1,2,3,4,5)(HFH M10X1.5X65)(8.900)	01 - 04	I (L18)	3	11516109
	1.079	BOLT,W/PMP(*1,2,3,4,5) (HFH,M10X1.5X95,9.8,PZOR,7114M,22.3 FLG OD) (8.900)	01 - 04	I (L18)	1	11516361
	1.079	BOLT,W/PMP(*10,11,12,13,14)(HFH M10X1.5X65) (8.900)	04	I (L18)	3	11516109
	1.079	BOLT,W/PMP(*10,11,12,13,14) (HFH,M10X1.5X95,9.8,PZOR,7114M,22.3 FLG OD) (8.900)	04	I (L18)	1	11516361
	1.079	BOLT,W/PMP(*16,17,18,19,20)(HFH M10X1.5X65) (8.900)	04	I (L18)	3	11516109
	1.079	BOLT,W/PMP(*16,17,18,19,20) (HFH,M10X1.5X95,9.8,PZOR,7114M,22.3 FLG OD) (8.900)	04	I (L18)	1	11516361
28.	0.519	CAMSHAFT,ENG(*1,2,3)(INCL 22,26,36,57)	01 - 04	I (L18)	1	12565075
	0.519	CAMSHAFT,ENG(*10,11,12)(INCL 22,26,36,57)	04	I (L18)	1	12565075
	0.519	CAMSHAFT,ENG(*13,14)(INCL 22,26,36,57)	04	I (L18)	1	12558912
	0.519	CAMSHAFT,ENG(*16,17,18)(INCL 22,26,36,57)	04	I (L18)	1	12565075
	0.519	CAMSHAFT,ENG(*19,20)(INCL 22,26,36,57)	04	I (L18)	1	12558912
	0.519	CAMSHAFT,ENG(*4,5)(INCL 22,26,36,57)	01 - 04	I (L18)	1	12558912
29.	0.553	SEALER,CM/SHF BRG HOLE PLUG (COMPOUND,ADHESIVE/SEALANT,THREAD,MED STRENGTH)(6ML)(8.800)	01 - 04	I (L18)	AR	12345382
30.	1.531	PLUG,ENG BLK OIL GAL(1/8-27X3/8 NPTF)(AUTO, HEX HEAD, PIPE PLAIN)(8.971)(AC-DELCO #444613)	01 - 04	I (L18)	3	00444613
31.	1.079	GASKET,W/PMP(*1,2,3,4,5)	01 - 02	I (L18)	2	12558875
	1.079	GASKET,W/PMP(*1,2,3,4,5)(AC-DELCO #251-2037)	03 - 04	I (L18)	2	12580636

	1.079	GASKET,W/PMP(*10,11,12,13,14)(AC-DELCO #251-2037)	04	I (L18)	2	12580636
	1.079	GASKET,W/PMP(*16,17,18,19,20)(AC-DELCO #251-2037)	04	I (L18)	2	12580636
32.	1.069	PUMP KIT,WAT(*1)(INCLS 31,82,83,85,105))(AC-DELCO #251-631)	01 - 04	I (L18)	1	88893906
	1.069	PUMP KIT,WAT(*10)(INCLS 31,82,83,85,105))(AC-DELCO #251-631)	04	I (L18)	1	88893906
	1.069	PUMP KIT,WAT(*16)(INCLS 31,82,83,85,105))(AC-DELCO #251-631)	04	I (L18)	1	88893906
	1.069	PUMP KIT,WAT(*2,3,4,5)(INCLS 31,82,83,85,105))(AC-DELCO #251-633)	01 - 03	I (L18)	1	88893908
35.	0.206	BOLT,ENG FRT CVR(*1,2,3,4,5)(M6X1X30,26.5 THD)(8.900)	01 - 04	I (L18)	8	11517591
36.	0.206	PIN,ENG FRT CVR LOC(*1,2,3,4,5)(1/4X5/8)(0.738)	01 - 04	I (L18)	1	12554553
	0.206	PIN,ENG FRT CVR LOC(*10,11,12,13,14)(1/4X5/8)(0.738)	04	I (L18)	1	12554553
37.	0.207	GASKET,ENG FRT CVR(*1,2,3,4,5)(ALSO PART OF 76)	01 - 04	I (L18)	1	12556370
	0.207	GASKET,ENG FRT CVR(*10,11,12,13,14)(ALSO PART OF 76)	04	I (L18)	1	12556370
	0.207	GASKET,ENG FRT CVR(*16,17,18,19,20)(ALSO PART OF 76)	04	I (L18)	1	12556370
38.	0.662	PIN,CR/SHF BALR LOC(*1,2,3,4,5)	01 - 04	I (L18)	1	12560729
	0.662	PIN,CR/SHF BALR LOC(*10,11,12,13,14)	04	I (L18)	1	12560729
	0.662	PIN,CR/SHF BALR LOC(*16,17,18,19,20)	04	I (L18)	1	12560729
39.	0.096	BEARING KIT,CR/SHF(*1,2,3,4,5)(STD)	01 - 04	I (L18)	4	88894269
	0.096	BEARING KIT,CR/SHF(*10,11,12,13,14)(STD)	04	I (L18)	4	88894269
	0.096	BEARING KIT,CR/SHF(*16,17,18,19,20)(STD)	04	I (L18)	4	88894269
40.	0.096	BEARING KIT,CR/SHF THR(*1,2,3,4,5)(POS#5 (THRUST)(STD)(USED AT #1-2-3-4 MAIN BULKHEAD)	01 - 03	I (L18)	1	88893904
	0.096	BEARING KIT,CR/SHF THR(*1,2,3,4,5)(POS#5 (THRUST)	01 - 04	I (L18)	1	89017285
	0.096	BEARING KIT,CR/SHF THR(*10,11,12,13,14)(POS#5 (THRUST)	04	I (L18)	1	89017285
	0.096	BEARING KIT,CR/SHF THR(*16,17,18,19,20)(POS#5 (THRUST)	04	I (L18)	1	89017285
41.	0.137	SEAL,CR/SHF RR OIL(*1,2,3,4,5)	01 - 04	I (L18)	1	12559277
	0.137	SEAL,CR/SHF RR OIL(*10,11,12,13,14)	04	I (L18)	1	12559277
	0.137	SEAL,CR/SHF RR OIL(*16,17,18,19,20)	04	I (L18)	1	12559277
42.	0.669	BOLT,FLYWHL(*1,2,3,4,5)(M11X1.5X29)	01 - 04	I (L18)	6	12563485
	0.669	BOLT,FLYWHL(*10,11,12,13,14)(M11X1.5X29)	04	I (L18)	6	12563485
	0.669	BOLT,FLYWHL(*16,17,18,19,20)(M11X1.5X29)	04	I (L18)	6	12563485

43.	0.666	FLYWHEEL,ENG(*1,3,4)(INCLS GEAR & LOC PIN)	01 - 04	I (L18)	1	12555135
	0.666	FLYWHEEL,ENG(*10,12,13)(INCLS GEAR & LOC PIN)	04	I (L18)	1	12555135
	0.666	FLYWHEEL,ENG(*11,13)	04	I (L18)	1	12555136
	0.666	FLYWHEEL,ENG(*16,18,19)(INCLS GEAR & LOC PIN)	04	I (L18)	1	12555135
	0.666	FLYWHEEL,ENG(*17,20)	04	I (L18)	1	12555136
	0.666	FLYWHEEL,ENG(*2,5)	01 - 04	I (L18)	1	12555136
44.	1.430	DEFLECTOR,CR/SHF OIL(*1,2,3,4,5)	01 - 04	I (L18)	1	12559669
	1.430	DEFLECTOR,CR/SHF OIL(*10,11,12,13,14)	04	I (L18)	1	12559669
45.	0.669	PIN,FLYWHL LOC(PART OF 73)(M6X20)(8.939)	01 - 04	I (L18)	2	11505820
48.	NS	CAP,CR/SHF #5 BRG		I (L18) (12553715)	1	
49.	0.648	NUT,CR/SHF OIL DFL(M10X1.5,11.7,21.5 OD)(8.917)	01	I (L18)	9	11516077
	0.648	NUT,CR/SHF OIL DFL(M10X1.5,11.7,21.5 OD)(8.917)	02 - 04	I (L18)	9	11516077
51.	1.855	FITTING,OIL FLTR(*1,2,3,4,5)	01 - 04	I (L18)	1	03853870
	1.855	FITTING,OIL FLTR(*10,11,12,13,14)	04	I (L18)	1	03853870
	1.855	FITTING,OIL FLTR(*16,17,18,19,20)	04	I (L18)	1	03853870
52.	1.837	VALVE,OIL FLTR BYPASS(*1,2,3,4,5)	01 - 04	I (L18)	2	25013765
	1.837	VALVE,OIL FLTR BYPASS(*10,11,12,13,14)	04	I (L18)	2	25013765
	1.837	VALVE,OIL FLTR BYPASS(*16,17,18,19,20)	04	I (L18)	2	25013765
53.	1.836	FILTER,OIL(*1,4,5)(138MM LONG)(AC-DELCO #PF1218)	02	I (L18)	1	25160561
	1.836	FILTER,OIL(*1,2,3,4,5)(AC-DELCO #UPF1218)	01	I (L18)	1	25322841
	1.836	FILTER,OIL(*1,2,3,4,5)(76MM LONG)(AC-DELCO #PF454)	01 - 04	I (L18)	1	25324052
	1.836	FILTER,OIL(*10,11,12,13,14)(76MM LONG)(AC-DELCO #PF454)	04	I (L18)	1	25324052
	1.836	FILTER,OIL(*16,17,18,19,20)(76MM LONG)(AC-DELCO #PF454)	04	I (L18)	1	25324052
54.	0.056	BOLT,CR/SHF BRG CAP(*1,2,3,4,5)(M12X1.75X89)	01 - 04	I (L18)	10	12556556
	0.056	BOLT,CR/SHF BRG CAP(*10,11,12,13,14)(M12X1.75X89)	04	I (L18)	10	12556556
	0.056	BOLT,CR/SHF BRG CAP(*16,17,18,19,20)(M12X1.75X89)	04	I (L18)	10	12556556
56.	1.639	SHAFT,O/PMP DRV(*1,2,3,4,5)	01 - 04	I (L18)	1	03998289
	1.639	SHAFT,O/PMP DRV(*10,11,12,13,14)	04	I (L18)	1	03998289
57.	0.206	PIN,O/PMP LOC(*1,2,3,4,5)(1/4X5/8)(0.738)	01 - 04	I (L18)	1	12554553
	0.206	PIN,O/PMP LOC(*10,11,12,13,14)(1/4X5/8)(0.738)	04	I (L18)	1	12554553
	0.206	PIN,O/PMP LOC(*16,17,18,19,20)(1/4X5/8)(0.738)	04	I (L18)	1	12554553
58.	1.639	RETAINER,O/PMP DRV SHF(*1,2,3,4,5)	01 - 04	I (L18)	1	03764554
	1.639	RETAINER,O/PMP DRV SHF(*10,11,12,13,14)	04	I (L18)	1	03764554
	1.639	RETAINER,O/PMP DRV SHF(*16,17,18,19,20)	04	I (L18)	1	03764554
59.	1.652	PUMP,OIL(W/SCRN)(*1,2,3,4,5)	01 - 04	I (L18)	1	12562028

		(INCLS:61,62,63,64,65,101,102,)				
	1.652	PUMP,OIL(W/SCRN)(*10,11,12,13,14) (INCLS:61,62,63,64,65,101,102,)	04	I (L18)	1	12562028
	1.652	PUMP,OIL(W/SCRN)(*16,17,18,19,20) (INCLS:61,62,63,64,65,101,102,)	04	I (L18)	1	12562028
60.	1.652	BOLT,O/PMP(*1,2,3,4,5)(M10X1.5X60)(8.907)	01 - 04	I (L18)	1	12557507
	1.652	BOLT,O/PMP(*10,11,12,13,14)(M10X1.5X60)(8.907)	04	I (L18)	1	12557507
	1.652	BOLT,O/PMP(*16,17,18,19,20)(M10X1.5X60)(8.907)	04	I (L18)	1	12557507
61.	NS	SCREEN,O/PMP(PART OF 59)(NOT SERVICED PART OF OIL PUMP)	01 - 02	I (L18) (12562029)	1	
	NS	SCREEN,O/PMP(PART OF 59)(NOT SERVICED PART OF OIL PUMP)	03 - 04	I (L18) (12562029)	1	
62.	1.609	VALVE,OIL PRESS RLF(*1,2,3,4,5)	01 - 04	I (L18)	1	03860377
	1.609	VALVE,OIL PRESS RLF(*10,11,12,13,14)	04	I (L18)	1	03860377
	1.609	VALVE,OIL PRESS RLF(*16,17,18,19,20)	04	I (L18)	1	03860377
63.	1.609	SPRING,OIL PRESS RLF VLV(*1,2,3,4,5)	01 - 04	I (L18)	1	03870399
	1.609	SPRING,OIL PRESS RLF VLV(*10,11,12,13,14)	04	I (L18)	1	03870399
	1.609	SPRING,OIL PRESS RLF VLV(*16,17,18,19,20)	04	I (L18)	1	03870399
64.	1.609	PIN,OIL PRESS RLF VLV SPR ST(*1,2,3,4,5)	01 - 04	I (L18)	1	00838839
	1.609	PIN,OIL PRESS RLF VLV SPR ST(*10,11,12,13,14)	04	I (L18)	1	00838839
	1.609	PIN,OIL PRESS RLF VLV SPR ST(*16,17,18,19,20)	04	I (L18)	1	00838839
65.	1.723	COVER,O/PMP(*1,2,3,4,5)	01 - 04	I (L18)	1	10241110
	1.723	COVER,O/PMP(*10,11,12,13,14)	04	I (L18)	1	10241110
	1.723	COVER,O/PMP(*16,17,18,19,20)	04	I (L18)	1	10241110
66.	NS	GASKET,O/PMP CVR(NOT REQUIRED)				
67.	1.429	GASKET,OIL PAN(*1,2,3,4,5)(ALSO PART OF 68)	01 - 04	I (L18)	1	12567777
	1.429	GASKET,OIL PAN(*10,11,12,13,14)(ALSO PART OF 68)	04	I (L18)	1	12567777
	1.429	GASKET,OIL PAN(*16,17,18,19,20)(ALSO PART OF 68)	04	I (L18)	1	12567777
68.	1.426	PAN,OIL(*1,2,3,4,5)(INCLS 67,68,70,132,133,134)	01 - 04	I (L18)	1	12571661
	1.426	PAN,OIL(*10,11,12,13,14)(INCLS 67,68,70,132,133,134)	04	I (L18)	1	12571661
	1.426	SEALER,OIL PAN(*1,2,3,4,5)(8.800)(AC-DELCO # 12346141)	01 - 04	I (L18)	AR	12346141
	1.426	SEALER,OIL PAN(*10,11,12,13,14)(8.800)(AC-DELCO # 12346141)	04	I (L18)	AR	12346141
69.		SEALER,OIL PAN DRN RSTR(50CC TUBE)(8.800)	01 - 04	(L18)	AR	12346004
70.	1.453	PLUG,OIL PAN DRN(*1,2,3,4,5)(INCL 132)(1/2-14X 39/64,STL,PE)(HEADLESS SQ SOC,USE W/SEALER # 1052080)(8.971)(AC-DELCO #25522466)	01	I (L18)	2	25522466
	1.453	PLUG,OIL PAN DRN(*1,2,3,4,5)(METRIC THREADS) (INCL 132)(INCLS SEAL)	01 - 04	I (L18)	1	24100042
	1.453	PLUG,OIL PAN DRN(*10,11,12,13,14)(METRIC	04	I (L18)	1	24100042

		THREADS)(INCL 132)(INCLS SEAL)				
	1.453	PLUG,OIL PAN DRN(*16,17,18,19,20)(METRIC THREADS)(INCL 132)(INCLS SEAL)	04	I (L18)	1	24100042
71.	8.971	BOLT,OIL PAN(*1,2,3,4)(8.900)	02 - 04	I (L18)	13	11515758
	8.971	BOLT,OIL PAN(*1,2,3,4,5)(8.900)	01 - 04	I (L18)	13	11515758
	1.428	BOLT,OIL PAN(*10,11,12,13,14)(TO BLOCK SHORT) (8.900)	04	I (L18)	13	11515758
	1.428	BOLT,OIL PAN(*16,17,18,19,20)(TO BLOCK SHORT) (8.900)	04	I (L18)	13	11515758
72.	NS	CAP,CR/SHF BRG(POS#1,2,3,4)	01 - 02	I (L18) (12553716)	4	
	NS	CAP,CR/SHF BRG(POS#1,2,3,4)	03 - 04	I (L18) (12553716)	4	
73.	0.646	CRANKSHAFT>(*1,2,3,4,5)(CAST-IRON)(USE ONLY WITH PRESS FIT PIN PISTONS)	01 - 04	I (L18)	1	12570586
	0.646	CRANKSHAFT>(*10,11,12,13,14)(CAST-IRON)(USE ONLY WITH PRESS FIT PIN PISTONS)	04	I (L18)	1	12570586
	0.646	CRANKSHAFT,(MCHG)(*16,17,18,19,20)(USED ONLY WITH FLOATING PIN PISTON ASM)	04	I (L18)	1	89017574
74.	0.728	SPROCKET,CR/SHF(*1)	01 - 04	I (L18)	1	12560177
	0.728	SPROCKET,CR/SHF(*10)	04	I (L18)	1	12560177
	0.728	SPROCKET,CR/SHF(*11,12,13,14)	04	I (L18)	1	12568790
	0.728	SPROCKET,CR/SHF(*16)	04	I (L18)	1	12560177
	0.728	SPROCKET,CR/SHF(*17,18,19,20)	04	I (L18)	1	12568790
	0.728	SPROCKET,CR/SHF(*2,3,4,5)	01 - 04	I (L18)	1	12568790
75.	0.213	SEAL,CR/SHF FRT OIL(*1,2,3,4,5)	01 - 04	I (L18)	1	12559279
	0.213	SEAL,CR/SHF FRT OIL(*10,11,12,13,14)	04	I (L18)	1	12559279
	0.213	SEAL,CR/SHF FRT OIL(*16,17,18,19,20)	04	I (L18)	1	12559279
76.	0.206	COVER,ENG FRT(*1,2,3,4,5)(INCLS 37,75)	01 - 03	I (L18)	1	12566112
	0.206	COVER,ENG FRT(*1,2,3,4,5)(INCLS 37,75)	04	I (L18)	1	12580454
	0.206	COVER,ENG FRT(*1,2,3,4,5)(INCLS 37,75)	04	I (L18)	1	12589847
	0.206	COVER,ENG FRT(*10,11,12,13,14)(INCLS 37,75)	04	I (L18)	1	12580454
	0.206	COVER,ENG FRT(*10,11,12,13,14)(INCLS 37,75)	04	I (L18)	1	12589847
	0.206	COVER,ENG FRT(*16,17,18,19,20)(INCLS 37,75)	04	I (L18)	1	12589847
77.	0.659	BALANCER,CR/SHF(*1)	01 - 04	I (L18)	1	12552283
	0.659	BALANCER,CR/SHF(*10)	04	I (L18)	1	12552283
	0.659	BALANCER,CR/SHF(*11,12,13,14)	04	I (L18)	1	12578378
	0.659	BALANCER,CR/SHF(*16)	04	I (L18)	1	12552283
	0.659	BALANCER,CR/SHF(*2,3,4,5)	01 - 04	I (L18)	1	12578378
78.	0.662	WASHER,CR/SHF BALR(*1,2,3,4,5)	01 - 04	I (L18)	1	23504011
	0.662	WASHER,CR/SHF BALR(*10,11,12,13,14)	04	I (L18)	1	23504011
	0.662	WASHER,CR/SHF BALR(*16,17,18,19,20)	04	I (L18)	1	23504011
79.	0.662	BOLT,CR/SHF BALR(*1,2,3,4,5)(M16 X 1.5)	01 - 04	I (L18)	1	14022672

	0.662	BOLT,CR/SHF BALR(*10,11,12,13,14)(M16 X 1.5)	04	I (L18)	1	14022672
	0.662	BOLT,CR/SHF BALR(*16,17,18,19,20)(M16 X 1.5)	04	I (L18)	1	14022672
82.	NS	HUB,FAN & W/PMP PUL(PART OF 32)				
83.	NS	GASKET,W/PMP CVR(PART OF 32)(*1,2,3,4,5)		I (L18) (12560477)	1	
85.	1.073	BOLT,W/PMP CVR(*1,2,3,4,5)(PART OF 32)(1/4-20X1/2, 15/32OD)(HEX SOC TORX)(0.529)	01	I (L18)	6	14093637
87.	0.056	STUD,CR/SHF BRG CAP(*1,2,3,4,5)	01 - 04	I (L18)	10	12559668
	0.056	STUD,CR/SHF BRG CAP(*10,11,12,13,14)	04	I (L18)	10	12559668
	0.056	STUD,CR/SHF BRG CAP(*16,17,18,19,20)	04	I (L18)	10	12559668
90.	0.529	RETAINER,CM/SHF(*1,2,3,4,5)	01 - 04	I (L18)	1	10168501
	0.529	RETAINER,CM/SHF(*10,11,12,13,14)	04	I (L18)	1	10168501
	0.529	RETAINER,CM/SHF(*16,17,18,19,20)	04	I (L18)	1	10168501
91.	0.529	BOLT,CM/SHF RET(*1,2,3,4,5)(8.913)	01 - 04	I (L18)	2	11515151
	0.529	BOLT,CM/SHF RET(*10,11,12,13,14)(8.913)	04	I (L18)	2	11515151
	0.529	BOLT,CM/SHF RET(*16,17,18,19,20)(8.913)	04	I (L18)	2	11515151
92.	0.539	BEARING,CM/SHF(POS#1)(*1,2,3,4,5)	01 - 04	I (L18)	1	12508996
	0.539	BEARING,CM/SHF(POS#1)(10,11,12,13,14)	04	I (L18)	1	12508996
93.	0.539	BEARING,CM/SHF(POS#2,5(RR))(*1,2,3,4,5)	01 - 04	I (L18)	2	12508997
	0.539	BEARING,CM/SHF(POS#2,5(RR))(10,11,12,13,14)	04	I (L18)	2	12508997
94.	0.539	BEARING,CM/SHF(#POS 3,4)(*1,2,3,4,5)	01 - 04	I (L18)	2	12508998
	0.539	BEARING,CM/SHF(#POS 3,4)(10,11,12,13,14)	04	I (L18)	2	12508998
95.	0.095	SEALER,CR/SHF RR MAIN BRG CAP(*1,2,3,4,5) (SEALANT)(LOCTITE 518)(GASKET MAKER)(6ML) (8.800)	01 - 04	I (L18)	AR	01052942
	0.095	SEALER,CR/SHF RR MAIN BRG CAP(*10,11,12,13,14) (SEALANT)(LOCTITE 518)(GASKET MAKER)(6ML) (8.800)	04	I (L18)	AR	01052942
96.	8.800	SEALANT-LOCTITE PIPE-W/TEFLON 50CC TUBE(ENG BLK COOL DRN HOLE PLUG)	01 - 04		AR	12346004
97.	8.800	GREASE-HEAVY DUTY-MULTI-PURPOSE (14.5 OZ.TUBE)(CR/SHF)	01 - 04	I (L18)	AR	12377985
98.	8.939	PIN,DOWEL,M6X20,PL(FLYWHL LOC)	01 - 04	I (L18)	2	11505820
99.	0.293	PIN,CYL HD LOC(*1,2,3,4,5)(1/2 X 5/8 O.D.)	01 - 04	I (L18)	4	12558081
	0.293	PIN,CYL HD LOC(*10,11,12,13,14)(1/2 X 5/8 O.D.)	04	I (L18)	4	12558081
	0.293	PIN,CYL HD LOC(*16,17,18,19,20)(1/2 X 5/8 O.D.)	04	I (L18)	4	12558081
100.	1.723	BOLT,O/PMP CVR(*1,2,3,4,5)(HFH,M6X1X20,9.8,PZOR) (8.900)(AC-DELCO #11508600)	01 - 04	I (L18)	5	11508600
	1.723	BOLT,O/PMP CVR(*10,11,12,13,14) (HFH,M6X1X20,9.8,PZOR)(8.900)(AC-DELCO # 11508600)	04	I (L18)	5	11508600
	1.723	BOLT,O/PMP CVR(*16,17,18,19,20) (HFH,M6X1X20,9.8,PZOR)(8.900)(AC-DELCO #	04	I (L18)	5	11508600

		11508600)					
101.	NS	GEAR,O/PMP DRV(PART OF 59)					
102.	NS	GEAR,O/PMP DRVN(PART OF 59)					
103.	1.062	BOLT,FAN & W/PMP PUL(*1,2,3,4,5)(M8X1.25X20) (8.900)	01 - 04	I (L18)		4	11515756
	1.062	BOLT,FAN & W/PMP PUL(*10,11,12,13,14) (M8X1.25X20)(8.900)	04	I (L18)		4	11515756
	1.062	BOLT,FAN & W/PMP PUL(*16,17,18,19,20) (M8X1.25X20)(8.900)	04	I (L18)		4	11515756
104.	1.062	PULLEY,FAN & W/PUMP(*1,2,3,4,5)(148.4MM)(CODE ADH)(HAS 1.8" OPENING IN CENTER OF HUB)	01 - 04	I (L18)		1	12550053
	1.062	PULLEY,FAN & W/PUMP(*10,11,12,13,14)(148.4MM) (CODE ADH)(HAS 1.8" OPENING IN CENTER OF HUB)	04	I (L18)		1	12550053
	1.062	PULLEY,FAN & W/PUMP(*16,17,18,19,20)(148.4MM) (CODE ADH)(HAS 1.8" OPENING IN CENTER OF HUB)	04	I (L18)		1	12550053
105.	NS	COVER,W/PMP(PART OF 32)(1,2,3,4,5)	01 - 03	I (L18) (88893906/88893908)		1	
	NS	COVER,W/PMP(PART OF 32)(1,2,3,4,5)	04	I (L18) (12573929/12574255)		1	
	NS	COVER,W/PMP(PART OF 32)(10,11,12,13,14)	04	I (L18) (12573929/12574255)		1	
106.	1.097	HOSE,THERM BYPASS(*1,2,3,4,5)(INCLS HOSE,CLAMPS)	01 - 04	I (L18)		1	12558969
	1.097	HOSE,THERM BYPASS(*10,11,12,13,14)(INCLS HOSE,CLAMPS)	04	I (L18)		1	12558969
	1.097	HOSE,THERM BYPASS(*16,17,18,19,20)(INCLS HOSE,CLAMPS)	04	I (L18)		1	12558969
107.	1.166	CLAMP,THERM BYPASS HOSE(*1,2,3,4,5)(8.948)	01 - 04	I (L18)		RH	11516230
	1.166	CLAMP,THERM BYPASS HOSE(*10,11,12,13,14) (8.948)	04	I (L18)		RH	11516230
	1.166	CLAMP,THERM BYPASS HOSE(*16,17,18,19,20) (8.948)	04	I (L18)		RH	11516230
108.	1.166	CLAMP,THERM BYPASS HOSE(*1,2,3,4,5)(GREEN) (30MM NOM,28MM MIN,32.5MM MAX,15MM WIDE,6298M)(8.948)	01 - 04	I (L18)		LH	11516228
	1.166	CLAMP,THERM BYPASS HOSE(*10,11,12,13,14) (GREEN)(30MM NOM,28MM MIN,32.5MM MAX,15MM WIDE,6298M)(8.948)	04	I (L18)		LH	11516228
	1.166	CLAMP,THERM BYPASS HOSE(*16,17,18,19,20) (GREEN)(30MM NOM,28MM MIN,32.5MM MAX,15MM WIDE,6298M)(8.948)	04	I (L18)		LH	11516228
109.	1.252	SEAL,ENG COOL THERM(O RING)(*1)(PART OF 110) (WITHOUT LIP)(48.25MM O.D.)(AC-DELCO #24577118)	01 - 04	I (L18)		1	24577118
	1.252	SEAL,ENG COOL THERM(O RING)(*10)(PART OF 110)	04	I (L18)		1	24577118

		(WITHOUT LIP)(48.25MM O.D.)(AC-DELCO #24577118)				
110.	1.246	THERMOSTAT ,ENG COOL(*1)(INCL 109)(195 DEG) (AC-DELCO #131-121)	01 - 04	I (L18)	1	12559575
	1.246	THERMOSTAT ,ENG COOL(*10)(INCL 109)(195 DEG) (AC-DELCO #131-121)	04	I (L18)	1	12559575
	1.246	THERMOSTAT ,ENG COOL(*16)(INCL 109)(195 DEG) (AC-DELCO #131-121)	04	I (L18)	1	12559575
111.	1.153	PIPE ,ENG COOL C/OVR(*11,12,13,14)(INCLS:PIPE- C/OVR,PIPE-THERM BYPASS,SEALER-THERM BYPASS,PLUG-ENG COOL THERM,GASKET-ENG COOL BYPASS,BOLT-C/OVR****PIPE CROSSOVER KIT,)(INCLS #109,110,112,113,114,115,116)	04	I (L18)	1	12571855
	1.153	PIPE ,ENG COOL C/OVR(*2,3,4,5)(INCLS:PIPE- C/OVR,PIPE-THERM BYPASS,SEALER-THERM BYPASS,PLUG-ENG COOL THERM,GASKET-ENG COOL BYPASS,BOLT-C/OVR****PIPE CROSSOVER KIT,)(INCLS #109,110,112,113,114,115,116)	01 - 04	I (L18)	1	12571855
	1.153	PIPE ,ENG COOL C/OVR (INCLS:PIPE,SEAL,GASKET,BOLTS,STUD,THERMOST AT)(INCLS #109,110,112,113,114,115,116)	03 - 04	I (L18)	1	12578330
112.	1.153	OUTLET ,WAT(*1)(PART OF 111)(AC-DELCO #15-1816)	01 - 04	I (L18)	1	12559861
	1.153	OUTLET ,WAT(*10)(PART OF 111)(AC-DELCO #15- 1816)	04	I (L18)	1	12559861
	1.153	OUTLET ,WAT(*16)(PART OF 111)(AC-DELCO #15- 1816)	04	I (L18)	1	12559861
113.	1.153	BOLT ,WAT OTLT(*1,2,3,4,5)(PART OF 111) (8X1.25X25,10.9)(W/WASHER)(USE SEALER 12345382 OR EQUIV IF NEEDED)(8.900)	01 - 04	I (L18)	3	11515757
	1.153	BOLT ,WAT OTLT(*10)(PART OF 111)(8X1.25X25,10.9) (W/WASHER)(USE SEALER 12345382 OR EQUIV IF NEEDED)(8.900)	04	I (L18)	3	11515757
	1.153	BOLT ,WAT OTLT(*16)(PART OF 111)(8X1.25X25,10.9) (W/WASHER)(USE SEALER 12345382 OR EQUIV IF NEEDED)(8.900)	04	I (L18)	3	11515757
114.	NS	PIPE ,THERM BYPASS(PART OF 111)				
115.	8.846	FITTING ,HTR HOSE(*1)(PART OF 111)	01 - 04	I (L18)	1	12562134
116.	1.154	GASKET ,ENG COOL C/OVR PIPE(*1,2,3,4,5)(PART OF 111)	01 - 04	I (L18)	2	12558883
	1.154	GASKET ,ENG COOL C/OVR PIPE(*10,11,12,13,14) (PART OF 111)	04	I (L18)	2	12558883
117.	1.153	BOLT ,ENG COOL C/OVR PIPE(*1,2,3,4,5)(HEX FLG HD)(M10X1.5X30)(8.900)	01 - 04	I (L18)	4	11516328
	1.153	BOLT ,ENG COOL C/OVR PIPE(*10,11,12,13,14)(HEX	04	I (L18)	4	11516328

		FLG HD)(M10X1.5X30)(8.900)				
	1.153	BOLT,ENG COOL C/OVR PIPE(*16,17,18,19,20)(HEX FLG HD)(M10X1.5X30)(8.900)	04	I (L18)	4	11516328
118.	2.383	BOLT,CM/SHF POSN SEN(HWH M6X1X20 6202M 7114M 13.20D)(M6X1X20MM)(8.900)	01 - 04	I (L18)	1	11516479
119.	2.383	SENSOR,CM/SHF POSN(INCL #120)(AC-DELCO #213-1064)	02 - 03	I (L18)	1	12575183
	2.383	SENSOR,CM/SHF POSN(INCL #120)(AC-DELCO #213-1586)	04	I (L18)	1	12568983
	2.383	SENSOR,CM/SHF POSN(*1,2,3,4,5)(INCL #120)(3-PRONE)(INCLS O-RING SEAL)(AC-DELCO #213-1063)	01	I (L18)	1	12575182
120.	NS	SEAL,CM/SHF POSN SEN HOLE PLUG(O RING)(PART OF 119)				
121.	2.383	SENSOR,CR/SHF POSN(*1,2,3,4,5)(ONE O-RING SEALS)(INCL 123)(AC-DELCO #213-1556)	01 - 04	I (L18)	1	12575172
	2.383	SENSOR,CR/SHF POSN(*10,11,12,13,14)(ONE O-RING SEALS)(INCL 123)(AC-DELCO #213-1556)	04	I (L18)	1	12575172
	2.383	SENSOR,CR/SHF POSN(*16,17,18,19,20)(ONE O-RING SEALS)(INCL 123)(AC-DELCO #213-1556)	04	I (L18)	1	12575172
122.	2.383	BOLT,CR/SHF POSN SEN(*1,2,3,4,5)(M6X1.0X21,13 THD)	01 - 04	I (L18)	1	12562852
	2.383	BOLT,CR/SHF POSN SEN(*10,11,12,13,14)(M6X1.0X21,13 THD)	04	I (L18)	1	12562852
	2.383	BOLT,CR/SHF POSN SEN(*16,17,18,19,20)(M6X1.0X21,13 THD)	04	I (L18)	1	12562852
123.	NS	SEAL,CR/SHF POSN SEN(O RING)(PART OF 121)				
125.	2.383	SENSOR,KNOCK(*1,2,3,4,5)(AC-DELCO #213-338)	01 - 04	I (L18)	2	10456500
	2.383	SENSOR,KNOCK(*10,11,12,13,14)(AC-DELCO #213-338)	04	I (L18)	2	10456500
	2.383	SENSOR,KNOCK(*16,17,18,19,20)(AC-DELCO #213-338)	04	I (L18)	2	10456500
126.	1.639	BOLT,O/PMP DRV(*1,2,3,4,5)(M8X1.25X20)(8.900)	01 - 04	I (L18)	4	11515756
	1.639	BOLT,O/PMP DRV(*10,11,12,13,14)(M8X1.25X20)(8.900)	04	I (L18)	4	11515756
	1.639	BOLT,O/PMP DRV(*16,17,18,19,20)(M8X1.25X20)(8.900)	04	I (L18)	4	11515756
127.	1.639	DRIVE,O/PMP(*1,2,3,4,5)	01 - 04	I (L18)	1	12568356
	1.639	DRIVE,O/PMP(*10,11,12,13,14)	04	I (L18)	1	12568356
	1.639	DRIVE,O/PMP(*16,17,18,19,20)	04	I (L18)	1	12568356
128.	1.531	PLUG,ENG BLK OIL GAL(COUNTERSUNK)(1/8-27X3/8 NPTF)(AUTO, HEX HEAD, PIPE PLAIN)(*1,2,3,4,5)(8.971)(AC-DELCO #444613)	01 - 02	I (L18)	3	00444613
	1.531	PLUG,ENG BLK OIL GAL(COUNTERSUNK)(1/8-27X3/8	03	I (L18)	3	00444613

		NPTF)(AUTO, HEX HEAD, PIPE PLAIN)(*1,2,3,4,5) (8.971)(AC-DELCO #444613)				
1.531		PLUG ,ENG BLK OIL GAL(COUNTERSUNK)(1/8-27X3/8 NPTF)(AUTO, HEX HEAD, PIPE PLAIN)(*1,2,3,4,5) (8.971)(AC-DELCO #444613)	04	I (L18)	3	00444613
1.531		PLUG ,ENG BLK OIL GAL(COUNTERSUNK)(1/8-27X3/8 NPTF)(AUTO, HEX HEAD, PIPE PLAIN)(* 10,11,12,13,14)(8.971)(AC-DELCO #444613)	04	I (L18)	3	00444613
130.	NS	RING ,CR/SHF POSN SEN RELUCTOR(PART OF 73)				
131.	1.540	CONNECTOR ,ENG OIL CLR HOSE(*1,2,3,4,5)(PART OF 5)(BRASS)	01 - 04	I (L18)	2	15765610
	1.540	CONNECTOR ,ENG OIL CLR HOSE(*1,2,3,4,5)(PART OF 5)	03 - 04	I (L18)	2	15170227
	1.540	CONNECTOR ,ENG OIL CLR HOSE(*10,11,12,13,14) (PART OF 5)	04	I (L18)	2	15170227
	1.540	CONNECTOR ,ENG OIL CLR HOSE(*16,17,18,19,20) (PART OF 5)	04	I (L18)	2	15170227
132.	1.456	SEAL ,OIL PAN DRN PLUG(O RING)(*1,2,3,4,5)(ALSO PART OF 70)	01 - 04	I (L18)	1	03536966
	1.456	SEAL ,OIL PAN DRN PLUG(O RING)(*10,11,12,13,14) (ALSO PART OF 70)	04	I (L18)	1	03536966
	1.456	SEAL ,OIL PAN DRN PLUG(O RING)(*16,17,18,19,20) (ALSO PART OF 70)	04	I (L18)	1	03536966
133.	1.430	BAFFLE ,OIL PAN(*1,2,3,4,5)(ALSO PART OF 68)	01 - 04	I (L18)	1	12568095
	1.430	BAFFLE ,OIL PAN(*10,11,12,13,14)(ALSO PART OF 68)	04	I (L18)	1	12568095
134.	1.430	BOLT ,OIL PAN BFL(*16,17,18,19,20)(ALSO PART OF 68)(M6X1X20MM)(8.900)	04	I (L18)	1	11516479

NOTE 01: 8.1L 496 CID INDUSTRIAL ENGINE- 2001 12560991 (1YD),2002 12562453 (2YD),2003 12564214 (3YD),2004 12571550 (4YD)

NOTE 02: 8.1L 496 CID BASE MARINE ENGINE-2001 12560993 (1XY),2002 12562454 (2XY),2003 12564215 (3XY),2004 12571552 (4XY)

NOTE 03: 8.1L 496 CID BASE MARINE ENGINE-2001 12560995 (1XW),2002 12562455 (2XW),2003 12564216 (3XW),2004 12571553 (4XW)

NOTE 04: 8.1L 496 CID HI-PERF/ENGINE- 2001 12560997 (1XA),2002 12562456 (2XA),2003 12564217 (3XA),2004 12571554 (4XA)

NOTE 05: 8.1L 496 CID HI-PERF/ENGINE- 2001 12560999 (1XF),2002 12562457 (2XF),2003 12564218 (3XF),2004 12571688 (4XF),0000 12577257 (5XF)

NOTE 10: 8.1L 496 CID INDUSTRIAL ENGINE- 2004 12587061-INTERIM-1-(4YZ)

NOTE 11: 8.1L 496 CID BASE MARINE ENGINE-2004 12587062-INTERIM-1-(4WY)

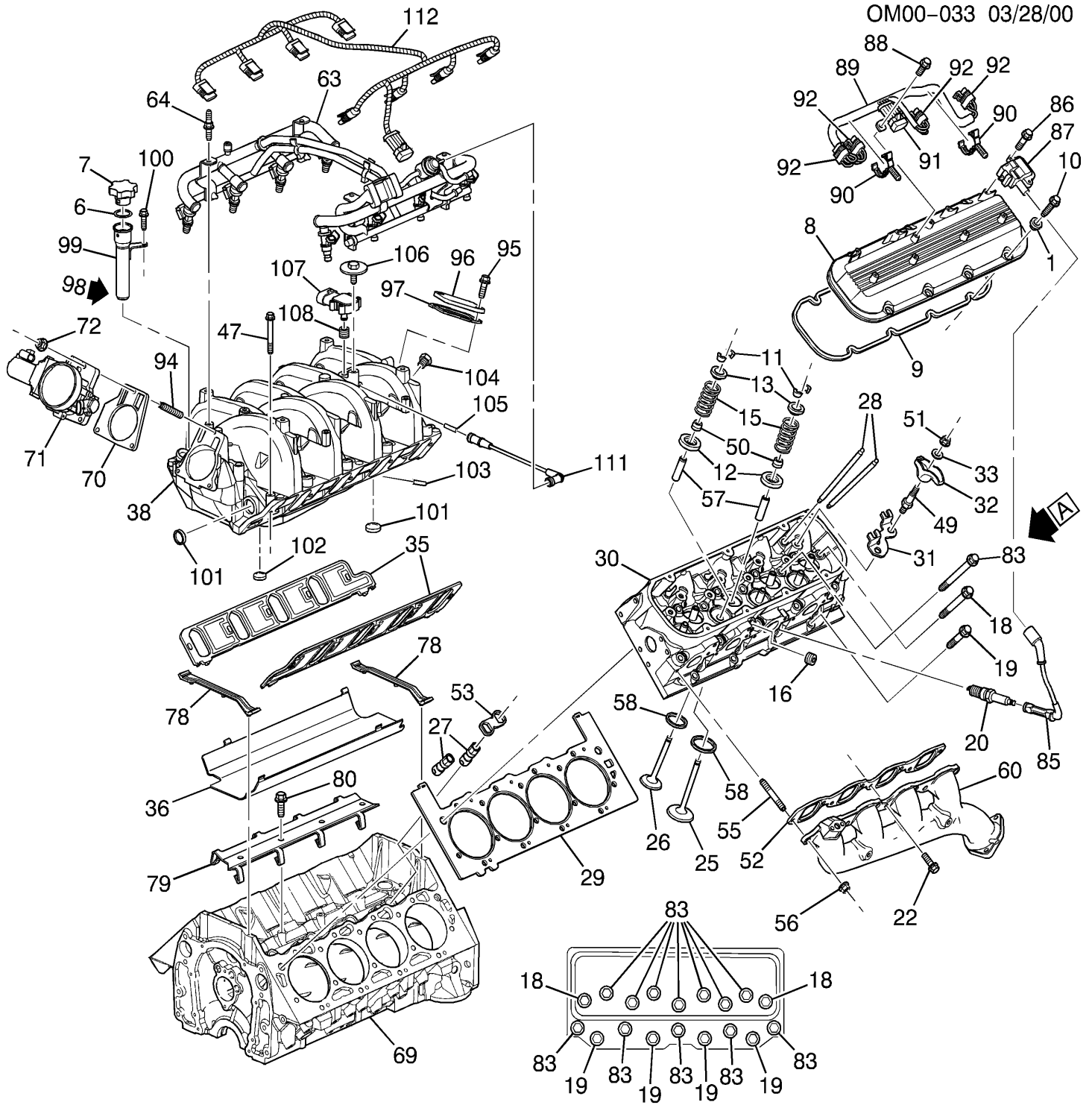
NOTE 12: 8.1L 496 CID BASE MARINE ENGINE-2004 12587053-INTERIM-1-(4WW)

NOTE 13: 8.1L 496 CID HI-PERF/ENGINE-2004 12587064-INTERIM-1-(4WA)

NOTE 14: 8.1L 496 CID HI-PERF/ENGINE- 2004 12587065-INTERIM-1-(4WF),

RPO DEFINITIONS

L18 - ENGINE GAS, 8 CYL, 8.1L, MFI (496 CID)



VIEW **A**
 CYLINDER HEAD
 BOLT POSITION

j

OM00-033

2001-2004 I ENGINE ASM-V8 PART 2 (L18)(8.1G)(496 CID)

- | | | | | |
|----|-------|---|-----------------|-------------|
| 1. | 0.423 | GASKET,VLV RKR ARM CVR BOLT(*1,2,3,4,5)(GRAY)
(0.413) | 01 - 04 I (L18) | 14 12557831 |
|----|-------|---|-----------------|-------------|



	0.423	GASKET ,VLV RKR ARM CVR BOLT(*10,11,12,13,14) (GRAY)(0.413)	04	I (L18)	14	12557831
	0.423	GASKET ,VLV RKR ARM CVR BOLT(*16,17,18,19,20) (GRAY)(0.413)	04	I (L18)	14	12557831
6.	NS	SEAL ,OIL FIL TUBE(O RING)(PART OF 7)				
7.	1.758	CAP ,OIL FIL(*1,2,3,4,5)(INCL #6)(INCLS SEAL)(5W-30) (AC-DELCO #FC179)	01 - 03	I (L18)	1	10243772
	1.758	CAP ,OIL FIL(SAE 5W-30 NON-VENTED)(INCL SEAL) (INCL #6)(AC-DELCO #FC208)	03 - 04	I (L18)	1	12573337
8.	0.386	COVER ,VLV RKR ARM(*1,2,3,4,5) (INCLS:COVER,GASKET)(INCLS COVER,GASKET)	03 - 04	I (L18)	2	12570555
	0.386	COVER ,VLV RKR ARM(*10,11,12,13,14) (INCLS:COVER,GASKET)(INCLS COVER,GASKET)	04	I (L18)	2	12570555
	0.386	COVER ,VLV RKR ARM(*16,17,18,19,20) (INCLS:COVER,GASKET)(INCLS COVER,GASKET)	04	I (L18)	2	12570555
	0.386	COVER ,VLV RKR ARM(INCLS:COVER,GASKET)	01 - 02	I (L18)	2	12570482
9.	0.423	GASKET ,VLV RKR ARM CVR(*1,2,3,4,5)(ALSO PART OF 8)	01 - 04	I (L18)	2	12559597
	0.423	GASKET ,VLV RKR ARM CVR(*10,11,12,13,14)(ALSO PART OF 8)	04	I (L18)	2	12559597
	0.423	GASKET ,VLV RKR ARM CVR(*16,17,18,19,20)(ALSO PART OF 8)	04	I (L18)	2	12559597
10.	0.413	BOLT ,VLV RKR ARM CVR(*1,2,3,4,5)(M6X1.0XX26)	01 - 04	I (L18)	14	12559598
	0.413	BOLT ,VLV RKR ARM CVR(*10,11,12,13,14) (M6X1.0XX26)	04	I (L18)	14	12559598
	0.413	BOLT ,VLV RKR ARM CVR(*16,17,18,19,20) (M6X1.0XX26)	04	I (L18)	14	12559598
11.	0.310	KEY ,VLV STEM(*1,2,3,4,5)	01 - 04	I (L18)	32	03947880
	0.310	KEY ,VLV STEM(*10,11,12,13,14)	04	I (L18)	32	03947880
	0.310	KEY ,VLV STEM(*16,17,18,19,20)	04	I (L18)	32	03947880
12.	0.309	ROTATOR ,VLV(*1,2,3,4,5)	01 - 04	I (L18)	16	10240899
	0.309	ROTATOR ,VLV(*10,11,12,13,14)	04	I (L18)	16	10240899
	0.309	ROTATOR ,VLV(*16,17,18,19,20)	04	I (L18)	16	10240899
13.	0.309	CAP ,VLV SPR(*1,2,3,4,5)	01 - 04	I (L18)	16	10213464
	0.309	CAP ,VLV SPR(*10,11,12,13,14)	04	I (L18)	16	10213464
	0.309	CAP ,VLV SPR(*16,17,18,19,20)	04	I (L18)	16	10213464
15.	0.303	SPRING ,VLV(*1,2,3,4,5)	01 - 04	I (L18)	16	12565763
	0.303	SPRING ,VLV(*10,11,12,13,14)	04	I (L18)	16	12565763
16.	0.293	PLUG ,CYL HD CORE HOLE(*1,2,3,4,5)(1/2-14X 39/64,STL,PE)(HEADLESS SQ SOC,USE W/SEALER # 1052080)(8.971)(AC-DELCO #25522466)	01 - 04	I (L18)	2	25522466
	0.293	PLUG ,CYL HD CORE HOLE(*1,2,3,4,5)(CUP,23.93MM)	01 - 04	I (L18)	2	93257138

	(3.265)						
0.293	PLUG,CYL HD CORE HOLE (*10,11,12,13,14)(1/2-14X 39/64,STL,PE)(HEADLESS SQ SOC,USE W/SEALER # 1052080)(8.971)(AC-DELCO #25522466)	04	I (L18)	2	25522466		
0.293	PLUG,CYL HD CORE HOLE (*16,17,18,19,20)(1/2-14X 39/64,STL,PE)(HEADLESS SQ SOC,USE W/SEALER # 1052080)(8.971)(AC-DELCO #25522466)	04	I (L18)	2	25522466		
18.	0.293 BOLT,CYL HD (POS# 15,18)(FOR LH AND RH CYL HD) (HFH,M10X1.5X86,28 TL,18.4 OD,500M,7112M,MACH,W/SEALANT)(M10X1.5X86)(* 1,2,3,4,5)	01 - 04	I (L18)	4	11519112		
	0.293 BOLT,CYL HD (POS# 15,18)(FOR LH AND RH CYL HD) (HFH,M10X1.5X86,28 TL,18.4 OD,500M,7112M,MACH,W/SEALANT)(M10X1.5X86)(* 10,11,12,13,14)	04	I (L18)	4	11519112		
19.	0.293 BOLT,CYL HD (POS#4,5,12,13)(NOTE:FOR LH & RH CYL HEAD)(HFH,M10X1.5X52,26 TL,18.4 OD,500M,7114M,MACJ,W/SEALANT)(M10X1.5X52)(* 1,2,3,4,5)	01 - 04	I (L18)	8	11519113		
	0.293 BOLT,CYL HD (POS#4,5,12,13)(NOTE:FOR LH & RH CYL HEAD)(HFH,M10X1.5X52,26 TL,18.4 OD,500M,7114M,MACJ,W/SEALANT)(M10X1.5X52)(* 10,11,12,13,14)	04	I (L18)	8	11519113		
20.	2.270 SPARK PLUG ,(*1,2,3,4,5)(AC-DELCO #12561454)	01 - 04	I (L18)	8	12561454		
	2.270 SPARK PLUG ,(*10,11,12,13,14)(AC-DELCO # 12561454)	04	I (L18)	8	12561454		
	2.270 SPARK PLUG ,(*16,17,18,19,20)(AC-DELCO # 12561454)	04	I (L18)	8	12561454		
	2.270 SPARK PLUG ,(*33,35)(AC- R45TS)(AC-DELCO #2)	03 - 04	I (638)	4	25164640		
22.	3.275 BOLT,EXH MANIF (HFH,8X1.25X25,2.1.8 THD LEN,180 OD,10.9,POR)(8X1.25X25,10.9)(W/WASHER)(USE SEALER 12345382 OR EQUIV IF NEEDED)(8.900)	01 - 04	I (L18)	2	11515757		
23.	0.293 PIN,CYL HD LOC (*1,2,3,4,5)(1/2 X 5/8 O.D.)	01 - 04	I (L18)	4	12558081		
	0.293 PIN,CYL HD LOC (*10,11,12,13,14)(1/2 X 5/8 O.D.)	04	I (L18)	4	12558081		
	0.293 PIN,CYL HD LOC (*16,17,18,19,20)(1/2 X 5/8 O.D.)	04	I (L18)	4	12558081		
25.	0.296 VALVE,INT (*1)	02 - 04	I (L18)	8	14097045		
	0.296 VALVE,INT (*1)	02 - 04	I (L18)	8	14097046		
	0.296 VALVE,INT (*1)	02 - 04	I (L18)	8	14097047		
	0.296 VALVE,INT (*1)	02 - 04	I (L18)	8	14097048		
	0.296 VALVE,INT (STD)(1)(STD)	01	I (L18)	8	12556317		
	0.296 VALVE,INT (STD)(10,11,12,13,14)(STD)	04	I (L18)	8	12556317		
	0.296 VALVE,INT (STD)(16,17,18,19,20)(STD)	04	I (L18)	8	12556317		
	0.296 VALVE,INT (STD)(2,3,4,5)(STD)	01 - 04	I (L18)	8	12556317		

	0.296	VALVE,INT(0.003" OS)(*1)(0.003" O.S.)	01	I (L18)	8	12562343
	0.296	VALVE,INT(0.003" OS)(*10,11,12,13,14)(0.003" O.S.)	04	I (L18)	8	12562343
	0.296	VALVE,INT(0.003" OS)(*16,17,18,19,20)(0.003" O.S.)	04	I (L18)	8	12562343
	0.296	VALVE,INT(0.003" OS)(*2,3,4,5)(0.003" O.S.)	01 - 04	I (L18)	8	12562343
	0.296	VALVE,INT(0.015" OS)(*10,11,12,13,14)(0.015" O.S.)	04	I (L18)	8	12562344
	0.296	VALVE,INT(0.015" OS)(*16,17,18,19,20)(0.015" O.S.)	04	I (L18)	8	12562344
	0.296	VALVE,INT(0.015" OS)(*2,3,4,5)(0.015" O.S.)	01 - 04	I (L18)	8	12562344
	0.296	VALVE,INT(0.030" OS)(*10,11,12,13,14)(0.030" O.S.)	04	I (L18)	8	12562345
	0.296	VALVE,INT(0.030" OS)(*16,17,18,19,20)(0.030" O.S.)	04	I (L18)	8	12562345
	0.296	VALVE,INT(0.030" OS)(*2,3,4,5)(0.030" O.S.)	01 - 04	I (L18)	8	12562345
26.	0.297	VALVE,EXH(*1)(0.003 O.S.)	01 - 04	I (L18)	8	12559084
	0.297	VALVE,EXH(*10)(0.003 O.S.)	04	I (L18)	8	12559084
	0.297	VALVE,EXH(*11,12,13,14)(STD)	04	I (L18)	8	12572637
	0.297	VALVE,EXH(*16)(0.003 O.S.)	04	I (L18)	8	12559084
	0.297	VALVE,EXH(*17,18,19,20)(STD)	04	I (L18)	8	12572637
	0.297	VALVE,EXH(*2,3,4,5)(STD)	01 - 02	I (L18)	8	12557255
	0.297	VALVE,EXH(*2,3,4,5)(STD)	03 - 04	I (L18)	8	12572637
	0.297	VALVE,EXH(STD)(*1)	01 - 04	I (L18)	8	12558849
	0.297	VALVE,EXH(STD)(*10)	04	I (L18)	8	12558849
	0.297	VALVE,EXH(STD)(*16)	04	I (L18)	8	12558849
	0.297	VALVE,EXH(0.003" OS)(*2,3,4,5)(0.003 IN O.S.)	01 - 02	I (L18)	8	12557256
	0.297	VALVE,EXH(0.015" OS)(*1)(0.015 O.S.)	01 - 04	I (L18)	8	12559085
	0.297	VALVE,EXH(0.015" OS)(*10)(0.015 O.S.)	04	I (L18)	8	12559085
	0.297	VALVE,EXH(0.015" OS)(*16)(0.015 O.S.)	04	I (L18)	8	12559085
	0.297	VALVE,EXH(0.015" OS)(*2,3,4,5)(0.015 IN O.S.)	01 - 02	I (L18)	8	12557257
	0.297	VALVE,EXH(0.030" OS)(*1)(0.030 O.S.)	01 - 04	I (L18)	8	12559086
	0.297	VALVE,EXH(0.030" OS)(*10)(0.030 O.S.)	04	I (L18)	8	12559086
	0.297	VALVE,EXH(0.030" OS)(*16)(0.030 O.S.)	04	I (L18)	8	12559086
	0.297	VALVE,EXH(0.030" OS)(*2,3,4,5)(0.030" O.S.)	01 - 02	I (L18)	8	12557258
27.	0.459	LIFTER,VLV(*1,2,3,4,5)(AC-DELCO #HL121)	01 - 04	I (L18)	16	17120060
	0.459	LIFTER,VLV(*10,11,12,13,14)(AC-DELCO #HL121)	04	I (L18)	16	17120060
	0.459	LIFTER,VLV(*16,17,18,19,20)(AC-DELCO #HL121)	04	I (L18)	16	17120060
28.	0.426	ROD,VLV PUSH(*1,2,3,4,5)	01 - 04	I (L18)	8	12556295
	0.426	ROD,VLV PUSH(*1,2,3,4,5)	01 - 04	I (L18)	8	12556296
	0.426	ROD,VLV PUSH(*10,11,12,13,14)	04	I (L18)	8	12556295
	0.426	ROD,VLV PUSH(*10,11,12,13,14)	04	I (L18)	8	12556296
	0.426	ROD,VLV PUSH(*16,17,18,19,20)	04	I (L18)	8	12556295
	0.426	ROD,VLV PUSH(*16,17,18,19,20)	04	I (L18)	8	12556296
	0.426	ROD,EXH VLV PUSH	01 - 04			
29.	0.289	GASKET,CYL HD(*1)	01 - 04	I (L18)	LH	12580691
	0.289	GASKET,CYL HD(*1)	01 - 04	I (L18)	RH	12580692

	0.289	GASKET,CYL HD(*10)	04	I (L18)	LH 12580691
	0.289	GASKET,CYL HD(*10)	04	I (L18)	RH 12580692
	0.289	GASKET,CYL HD(*11,12,13,14)	04	I (L18)	LH 12558165
	0.289	GASKET,CYL HD(*11,12,13,14)	04	I (L18)	RH 12558166
	0.289	GASKET,CYL HD(*16)	04	I (L18)	LH 12580691
	0.289	GASKET,CYL HD(*16)	04	I (L18)	RH 12580692
	0.289	GASKET,CYL HD(*17,18,19,20)	04	I (L18)	RH 12558166
	0.289	GASKET,CYL HD(*2,3,4,5)	01 - 04	I (L18)	LH 12558165
	0.289	GASKET,CYL HD(*2,3,4,5)	01 - 04	I (L18)	RH 12558166
	0.289	GASKET KIT,CYL HD	01 - 04		
30.	NS	HEAD,CYL(MCHG)(INCLS 57,58)			
	NS	HEAD,CYL(W/VLV)			
	0.269	HEAD,CYL(*1)	02 - 04	I (L18)	RH 12585876
	0.269	HEAD,CYL(*1)	02 - 04	I (L18)	LH 12585877
	0.269	HEAD,CYL(*1,2,3,4,5)(INCLS SEATS,GUIDES)	01	I (L18)	RH 12560350
	0.269	HEAD,CYL(*1,2,3,4,5)(INCLS SEATS,GUIDES)	01	I (L18)	LH 12560351
	0.269	HEAD,CYL(*10)	04	I (L18)	RH 12585876
	0.269	HEAD,CYL(*10)	04	I (L18)	LH 12585877
	0.269	HEAD,CYL(*11,12,13,14)(INCLS SEATS,GUIDES)	04	I (L18)	RH 12581476
	0.269	HEAD,CYL(*11,12,13,14)(INCLS SEATS,GUIDES)	04	I (L18)	LH 12581477
	0.269	HEAD,CYL(*16)	04	I (L18)	RH 12585876
	0.269	HEAD,CYL(*16)	04	I (L18)	LH 12585877
	0.269	HEAD,CYL(*17,18,19,20)(INCLS SEATS,GUIDES)	04	I (L18)	RH 12581476
	0.269	HEAD,CYL(*17,18,19,20)(INCLS SEATS,GUIDES)	04	I (L18)	LH 12581477
	0.269	HEAD,CYL(*2,3,4,5)(INCLS SEATS,GUIDES)	02 - 03	I (L18)	RH 12560350
	0.269	HEAD,CYL(*2,3,4,5)(INCLS SEATS,GUIDES)	02 - 03	I (L18)	LH 12560351
	0.269	HEAD,CYL(*2,3,4,5)(INCLS SEATS,GUIDES)	04	I (L18)	RH 12581476
	0.269	HEAD,CYL(*2,3,4,5)(INCLS SEATS,GUIDES)	04	I (L18)	LH 12581477
31.	0.439	GUIDE,VLV LFTR PUSH ROD(*1,2,3,4,5)	01 - 04	I (L18)	8 12562369
	0.439	GUIDE,VLV LFTR PUSH ROD(*10,11,12,13,14)	04	I (L18)	8 12562369
	0.439	GUIDE,VLV LFTR PUSH ROD(*16,17,18,19,20)	04	I (L18)	8 12562369
32.	0.333	ARM KIT,VLV RKR	01 - 04		
	0.333	ARM,VLV RKR(*1,2,3,4,5)	01 - 04	I (L18)	16 12556298
	0.333	ARM,VLV RKR(*10,11,12,13,14)	04	I (L18)	16 12556298
	0.333	ARM,VLV RKR(*16,17,18,19,20)	04	I (L18)	16 12556298
33.	0.429	BALL,VLV RKR ARM(*1,2,3,4,5)	01 - 04	I (L18)	16 12556299
	0.429	BALL,VLV RKR ARM(*10,11,12,13,14)	04	I (L18)	16 12556299
	0.429	BALL,VLV RKR ARM(*16,17,18,19,20)	04	I (L18)	16 12556299
35.	NS	GASKET,INT MANIF(*KIT1)			
36.	3.265	SHIELD,INT MANIF OIL SPH(*1,2,3,4,5)	01 - 04	I (L18)	1 12559929
	3.265	SHIELD,INT MANIF OIL SPH(*10,11,12,13,14)	04	I (L18)	1 12559929

	3.265	SHIELD,INT MANIF OIL SPH(*16,17,18,19,20)	04	I (L18)	1	12559929
38.	3.265	MANIFOLD,INT	01 - 04			
	3.265	MANIFOLD,INT(*1)	01 - 03	I (L18)	1	12575622
	3.265	MANIFOLD,INT(*1)	04	I (L18)	1	12581116
	3.265	MANIFOLD,INT(*10)	04	I (L18)	1	12581116
	3.265	MANIFOLD,INT(*11,12,13,14)	04	I (L18)	1	12581392
	3.265	MANIFOLD,INT(*17,18,19,20)	04	I (L18)	1	12581392
	3.265	MANIFOLD,INT(*2,3,4,5)	01 - 03	I (L18)	1	12575621
	3.265	MANIFOLD,INT(*2,3,4,5)	04	I (L18)	1	12581392
47.	3.275	BOLT,INT MANIF(*1,2,3,4,5)(BLACK)(BLACK) (M6X102X72,20 THD,17.0 OD,10.9,GMW3359,MACH,W/6124M ADHESIVE)(8.900)	03 - 04	I (L18) (2ND DES)	10	11588980
	3.275	BOLT,INT MANIF(*1,2,3,4,5)(LWR INTAKE TO CYL HEAD)(SILVER)(SILVER)(M6X1.0X65X1.0X65.0)	01 - 04	I (L18) (1ST DES)	10	12561518
	3.275	BOLT,INT MANIF(*10,11,12,13,14)(BLACK)(BLACK) (M6X102X72,20 THD,17.0 OD,10.9,GMW3359,MACH,W/6124M ADHESIVE)(8.900)	04	I (L18) (2ND DES)	10	11588980
	3.275	BOLT,INT MANIF(*16,17,18,19,20)(BLACK)(BLACK) (M6X102X72,20 THD,17.0 OD,10.9,GMW3359,MACH,W/6124M ADHESIVE)(8.900)	04	I (L18)	10	11588980
49.	0.429	STUD,VLV RKR ARM PIV(HEX SPL,M10X1.5X19,M8X1.0X18,20.8L X11 OD SHLD,65.4 TL,10.9)	01 - 04	I (L18)	16	12569721
50.	0.308	SEAL,VLV STEM OIL(*1,2,3,4,5)	01 - 04	I (L18)	16	12555601
	0.308	SEAL,VLV STEM OIL(*10,11,12,13,14)	04	I (L18)	16	12555601
	0.308	SEAL,VLV STEM OIL(*16,17,18,19,20)	04	I (L18)	16	12555601
51.	0.429	NUT,VLV RKR ARM(*1,2,3,4,5)(13MM HEX,M8X1.0-6H) (NON-ADJUSTABLE)	01 - 04	I (L18)	12	14102542
	0.429	NUT,VLV RKR ARM(*10,11,12,13,14)(13MM HEX,M8X1.0-6H)(NON-ADJUSTABLE)	04	I (L18)	12	14102542
	0.429	NUT,VLV RKR ARM(*16,17,18,19,20)(13MM HEX,M8X1.0-6H)(NON-ADJUSTABLE)	04	I (L18)	12	14102542
52.	NS	GASKET,EXH MANIF(NOT SERVICE-FOR OEM-DIRECT SALES)		(L18)	2	
53.	0.439	GUIDE,VLV LFTR(*1,2,3,4,5)(RESTRICTOR VLV ROT) (ACCOMMODATES 2 VLV LFTRS EACH)	01 - 04	I (L18)	8	12551397
	0.439	GUIDE,VLV LFTR(*10,11,12,13,14)(RESTRICTOR VLV ROT)(ACCOMMODATES 2 VLV LFTRS EACH)	04	I (L18)	8	12551397
	0.439	GUIDE,VLV LFTR(*16,17,18,19,20)(RESTRICTOR VLV ROT)(ACCOMMODATES 2 VLV LFTRS EACH)	04	I (L18)	8	12551397
55.	3.275	STUD,EXH MANIF(M8X1.25X48)(*1,2,3,4,5)	01 - 02	I (L18)	14	12558508
	3.275	STUD,EXH MANIF(M8X1.25X48)(*1,2,3,4,5)	03 - 04	I (L18)	14	12558508

	3.275	STUD,EXH MANIF(M8X1.25X30)(*10,11,12,13,14)	04	I (L18)	14	11519725
56.	3.604	NUT,EXH MANIF(M8X1.25,9THK,17.6OD)(8.917)	01 - 04	I (L18)	7	11517031
57.	NS	GUIDE,VLV(PART OF 30)		I (L18)	16	
58.	NS	SEAT,CYL HEAD VLV-(PART OF 30)		I (L18)	16	
60.	NS	MANIFOLD,EXH(NOT SERVICE-FOR OEM-DIRECT SALES)		(L18)		
	NS	MANIFOLD,EXH(NOT SERVICE-FOR OEM-DIRECT SALES)		(L18)		LH
	NS	MANIFOLD,EXH(NOT SERVICE-FOR OEM-DIRECT SALES)		(L18)		RH
63.	3.330	RAIL,M/PORT F/INJN FUEL(*2,3,4,5)(SOLD SEPARATELY-DOESNT COME WITH OEM ENGINE)(AC-DELCO #17113649)	01 - 04	I (L18)	1	17113649
	3.330	VALVE KIT,FUEL PRESS SERV(*11,12,13,14)(AC-DELCO #12570619)	04	I (L18)	1	12570619
	3.330	VALVE KIT,FUEL PRESS SERV(*2,3,4,5)(AC-DELCO #12570619)	01 - 04	I (L18)	1	12570619
	3.330	REGULATOR KIT,FUEL PRESS(*11,12,13,14)(AC-DELCO #12575028)	04	I (L18)	1	12575028
	3.330	REGULATOR KIT,FUEL PRESS(*2,3,4,5)(AC-DELCO #17113664)	01 - 03	I (L18)	1	17113664
	3.330	REGULATOR KIT,FUEL PRESS(*2,3,4,5)(AC-DELCO #12575028)	04	I (L18)	1	12575028
	3.300	INJECTOR,M/PORT FUEL(*2,3,4,5)(AC-DELCO #25176061)	01 - 04	I (L18)	8	25176061
	3.304	SEAL KIT,M/PORT F/INJR(*11,12,13,14)	04	I (L18)	1	12575009
	3.304	SEAL KIT,M/PORT F/INJR(*17,18,19,20)	04	I (L18)	1	12575009
	3.304	SEAL KIT,M/PORT F/INJR(*2,3,4,5)(3.330)(AC-DELCO #217-1427)	01 - 04	I (L18)	1	12570621
	3.304	SEAL KIT,M/PORT F/INJR(*2,3,4,5)	04	I (L18)	1	12575009
	3.332	RETAINER KIT,F/INJR(*11,12,13,14)(PKG OF 08)(AC-DELCO #12570620)	04	I (L18)	1	12570620
	3.332	RETAINER KIT,F/INJR(*2,3,4,5)(PKG OF 08)(AC-DELCO #12570620)	01 - 04	I (L18)	1	12570620
	3.330	SEAL KIT,FUEL PRESS REG(*2,3,4,5)(AC-DELCO #17113393)	01 - 03	I (L18)	1	17113393
	3.330	SEAL KIT,FUEL PRESS REG(*2,3,4,5)(AC-DELCO #12574980)	04	I (L18)	1	12574980
	2.480	HARNES,M/PORT F/INJN FUEL RL WRG(*1,2,3,4,5)	01 - 03	I (L18)	1	88987502
64.	3.330	STUD,F/INJN FUEL RL(*1,2,3,4,5)(HFH, M6X1X16,M6X1X13,34.7 TL,13 OD,10.9 PO)(0.206)	01 - 04	I (L18)	2	10098862
69.	0.000A	ENGINE,GASOLINE(GOODWRENCH)(*11,12)(SERVICE NOTE:MAY REQUIRE FLYWHEEL TO BE	04	I (L18)	1	89017489

		TRANSFERRED FROM ORIGINAL ENGINE)				
0.000A		ENGINE,GASOLINE(GOODWRENCH)(*13,14)(SERVICE NOTE:MAY REQUIRE FLYWHEEL TO BE TRANSFERRED FROM ORIGINAL ENGINE)	04	I (L18)	1	89017307
0.000A		ENGINE,GASOLINE(GOODWRENCH)(*17,18)(SERVICE NOTE:MAY REQUIRE FLYWHEEL TO BE TRANSFERRED FROM ORIGINAL ENGINE)	04	I (L18)	1	89017489
0.000A		ENGINE,GASOLINE(GOODWRENCH)(*19,20)(SERVICE NOTE:MAY REQUIRE FLYWHEEL TO BE TRANSFERRED FROM ORIGINAL ENGINE)	04	I (L18)	1	89017307
0.000A		ENGINE,GASOLINE(GOODWRENCH)(*2,3)(SERVICE NOTE:MAY REQUIRE FLYWHEEL TO BE TRANSFERRED FROM ORIGINAL ENGINE)	01	I (L18)	1	12568419
0.000A		ENGINE,GASOLINE(GOODWRENCH)(*2,3)(SERVICE NOTE:MAY REQUIRE FLYWHEEL TO BE TRANSFERRED FROM ORIGINAL ENGINE)	02 - 03	I (L18)	1	89017234
0.000A		ENGINE,GASOLINE(GOODWRENCH)(*2,3)(SERVICE NOTE:MAY REQUIRE FLYWHEEL TO BE TRANSFERRED FROM ORIGINAL ENGINE)	04	I (L18)	1	89017489
0.000A		ENGINE,GASOLINE(GOODWRENCH)(*4,5)(SERVICE NOTE:MAY REQUIRE FLYWHEEL TO BE TRANSFERRED FROM ORIGINAL ENGINE)	01	I (L18)	1	12568420
0.000A		ENGINE,GASOLINE(GOODWRENCH)(*4,5)(SERVICE NOTE:MAY REQUIRE FLYWHEEL TO BE TRANSFERRED FROM ORIGINAL ENGINE)	02 - 03	I (L18)	1	89017235
0.000A		ENGINE,GASOLINE(GOODWRENCH)(*4,5)(SERVICE NOTE:MAY REQUIRE FLYWHEEL TO BE TRANSFERRED FROM ORIGINAL ENGINE)	04	I (L18)	1	89017307
70.	3.336	GASKET,THROT BODY(*2,3,4,5)(AC-DELCO # 12570168)	01 - 02	I (L18)	1	12570168
71.	NS	BODY,THROT(SEE PARTS PKG)				
	3.339	SENSOR,THROT POSN(*2,3)(AC-DELCO #213-912)	01 - 02	I (L18)	1	17123852
	3.820	VALVE,IDLE AIR CONT(*2,3)(3.338)(AC-DELCO #217-435)	01 - 02	I (L18)	1	17113209
	3.336	SEAL,IDLE AIR C/VLV(O RING)(*2,3)(AC-DELCO #217-1428)	01 - 02	I (L18)	1	17082049
	3.338	BOLT/SCREW KIT,IDLE AIR C/VLV & THROT POSN SEN(SEE PARTS PKG)	01 - 04			
72.	3.336	NUT,THROT BODY(M6X1-6H)(*1,2,3,4,5)(8.917)	01 - 04	I (L18)	3	03530297
78.	NS	GASKET,INT MANIF(*KIT1)				
79.	0.459	RETAINER,VLV LFTR GDE(*1,2,3,4,5)(1 PC) (RESTRICTOR)	01 - 04	I (L18)	1	12551399
	0.459	RETAINER,VLV LFTR GDE(*10,11,12,13,14)(1 PC)	04	I (L18)	1	12551399

		(RESTRICTOR)				
	0.459	RETAINER ,VLV LFTR GDE(*16,17,18,19,20)(1 PC) (RESTRICTOR)	04	I (L18)	1	12551399
80.	0.459	BOLT ,VLV LFTR GDE RET(*1,2,3,4,5)(8X1.25X25,10.9) (W/WASHER)(USE SEALER 12345382 OR EQUIV IF NEEDED)(8.900)	01 - 04	I (L18)	7	11515757
	0.459	BOLT ,VLV LFTR GDE RET(*10,11,12,13,14) (8X1.25X25,10.9)(W/WASHER)(USE SEALER 12345382 OR EQUIV IF NEEDED)(8.900)	04	I (L18)	7	11515757
	0.459	BOLT ,VLV LFTR GDE RET(*16,17,18,19,20) (8X1.25X25,10.9)(W/WASHER)(USE SEALER 12345382 OR EQUIV IF NEEDED)(8.900)	04	I (L18)	7	11515757
83.	0.293	BOLT ,CYL HD(POS# 1,2,3,6,7,8,9,10,11,14,16,17)(FOR LH AND RH CYL HD)(HFH,M10X1.5X103,20 TL,18.4 OD,500M,7114M,MACH,W/SEALANT)(M10X1.5X103)(* 1,2,3,4,5)	01 - 04	I (L18)	24	11519111
	0.293	BOLT ,CYL HD(POS# 1,2,3,6,7,8,9,10,11,14,16,17)(FOR LH AND RH CYL HD)(HFH,M10X1.5X103,20 TL,18.4 OD,500M,7114M,MACH,W/SEALANT)(M10X1.5X103)(* 10,11,12,13,14)	04	I (L18)	24	11519111
85.	2.239	WIRE KIT ,SPLG(* 1)(12"LONG---STYLE 12HHH,7MM DIA LEAD-W/HEAT SHIELD)(AC-DELCO #748FF)	01 - 02	I (L18)	1	88892832
	2.239	WIRE KIT ,SPLG(*1)(CONTAINS 8 SPARK PLUG WIRES)(AC-DELCO #748KK)	03 - 04	I (L18)	1	88984269
	2.239	WIRE KIT ,SPLG(*10)(CONTAINS 8 SPARK PLUG WIRES)(AC-DELCO #748KK)	04	I (L18)	1	88984269
	2.239	WIRE KIT ,SPLG(*11,12,13,14)(AC-DELCO #718R)	04	I (L18)	1	12192449
	2.239	WIRE KIT ,SPLG(*16)(CONTAINS 8 SPARK PLUG WIRES)(AC-DELCO #748KK)	04	I (L18)	1	88984269
	2.239	WIRE KIT ,SPLG(*17,18,19,20)(AC-DELCO #718R)	04	I (L18)	1	12192449
	2.239	WIRE KIT ,SPLG(*2,3,4,5)(AC-DELCO #718R)	01 - 04	I (L18)	1	12192449
	2.240	WIRE ,SPLG #1 CYL(*11,12,13,14)(STYLE 24JJJ,7MM DIA LEAD)	04	I (L18)	1	12192450
	2.240	WIRE ,SPLG #1 CYL(*17,18,19,20)(STYLE 24JJJ,7MM DIA LEAD)	04	I (L18)	1	12192450
	2.240	WIRE ,SPLG #1 CYL(*2,3,4,5)(STYLE 24JJJ,7MM DIA LEAD)	01 - 04	I (L18)	1	12192450
	2.240	WIRE ,SPLG #2 CYL(*11,12,13,14)(STYLE 24JJJ,7MM DIA LEAD)	04	I (L18)	1	12192450
	2.240	WIRE ,SPLG #2 CYL(*17,18,19,20)(STYLE 24JJJ,7MM DIA LEAD)	04	I (L18)	1	12192450
	2.240	WIRE ,SPLG #2 CYL(*2,3,4,5)(STYLE 24JJJ,7MM DIA LEAD)	01 - 04	I (L18)	1	12192450

2.240	WIRE,SPLG #7 CYL(*11,12,13,14)(STYLE 24JJJ,7MM DIA LEAD)	04	I (L18)	1	12192450
2.240	WIRE,SPLG #7 CYL(*17,18,19,20)(STYLE 24JJJ,7MM DIA LEAD)	04	I (L18)	1	12192450
2.240	WIRE,SPLG #7 CYL(*2,3,4,5)(STYLE 24JJJ,7MM DIA LEAD)	01 - 04	I (L18)	1	12192450
2.240	WIRE,SPLG #8 CYL(*11,12,13,14)(STYLE 24JJJ,7MM DIA LEAD)	04	I (L18)	1	12192450
2.240	WIRE,SPLG #8 CYL(*17,18,19,20)(STYLE 24JJJ,7MM DIA LEAD)	04	I (L18)	1	12192450
2.240	WIRE,SPLG #8 CYL(*2,3,4,5)(STYLE 24JJJ,7MM DIA LEAD)	01 - 04	I (L18)	1	12192450
2.240	WIRE,SPLG #3 CYL(*11,12,13,14)(STYLE 32JJJ,7MM DIA LEAD)(AC-DELCO #352S)	04	I (L18)	1	12192451
2.240	WIRE,SPLG #3 CYL(*17,18,19,20)(STYLE 32JJJ,7MM DIA LEAD)(AC-DELCO #352S)	04	I (L18)	1	12192451
2.240	WIRE,SPLG #3 CYL(*2,3,4,5)(STYLE 32JJJ,7MM DIA LEAD)(AC-DELCO #352S)	01 - 04	I (L18)	1	12192451
2.240	WIRE,SPLG #4 CYL(*11,12,13,14)(STYLE 32JJJ,7MM DIA LEAD)(AC-DELCO #352S)	04	I (L18)	1	12192451
2.240	WIRE,SPLG #4 CYL(*17,18,19,20)(STYLE 32JJJ,7MM DIA LEAD)(AC-DELCO #352S)	04	I (L18)	1	12192451
2.240	WIRE,SPLG #4 CYL(*2,3,4,5)(STYLE 32JJJ,7MM DIA LEAD)(AC-DELCO #352S)	01 - 04	I (L18)	1	12192451
2.240	WIRE,SPLG #5 CYL(*11,12,13,14)(STYLE 32JJJ,7MM DIA LEAD)(AC-DELCO #352S)	04	I (L18)	1	12192451
2.240	WIRE,SPLG #5 CYL(*17,18,19,20)(STYLE 32JJJ,7MM DIA LEAD)(AC-DELCO #352S)	04	I (L18)	1	12192451
2.240	WIRE,SPLG #5 CYL(*2,3,4,5)(STYLE 32JJJ,7MM DIA LEAD)(AC-DELCO #352S)	01 - 04	I (L18)	1	12192451
2.240	WIRE,SPLG #6 CYL(*11,12,13,14)(STYLE 32JJJ,7MM DIA LEAD)(AC-DELCO #352S)	04	I (L18)	1	12192451
2.240	WIRE,SPLG #6 CYL(*17,18,19,20)(STYLE 32JJJ,7MM DIA LEAD)(AC-DELCO #352S)	04	I (L18)	1	12192451
2.240	WIRE,SPLG #6 CYL(*2,3,4,5)(STYLE 32JJJ,7MM DIA LEAD)(AC-DELCO #352S)	01 - 04	I (L18)	1	12192451
2.240	WIRE,SPLG(* 1)(12"LONG---STYLE 12HHH,7MM DIA LEAD-W/HEAT-SHIELD)(AC-DELCO #352G)	01 - 02	I (L18)	8	12192436
2.240	WIRE,SPLG(* 1)(12"LONG---STYLE 12HHH,7MM DIA LEAD-W/HEAT-SHIELD)(AC-DELCO #355E)	03 - 04	I (L18)	8	88984270
2.240	WIRE,SPLG(* 10)(12"LONG---STYLE 12HHH,7MM DIA LEAD-W/HEAT-SHIELD)(AC-DELCO #355E)	04	I (L18)	8	88984270
2.240	WIRE,SPLG(* 16)(12"LONG---STYLE 12HHH,7MM DIA	04	I (L18)	8	88984270

		LEAD-W/HEAT-SHIELD)(AC-DELCO #355E)			
	2.251	SHIELD,SPLG WIRE(*1)(AC-DELCO #8006)	01 - 04	I (L18)	8 15336959
	2.251	SHIELD,SPLG WIRE(*10)(AC-DELCO #8006)	04	I (L18)	8 15336959
	2.251	SHIELD,SPLG WIRE(*16)(AC-DELCO #8006)	04	I (L18)	8 15336959
	2.251	RETAINER,SPLG WIRE(RETAINS TWO 7MM LEADS,HAS HINGED LOCKING COVER & REQUIRES NARROW BLADE FOR MOUNTING(NYLON-6/6 BLACK-SIZE "D"-IGNITION CLIP)(RETAINS 2-7MM LEADS,HINGE LOCKING CVR,NARROW BLADE MT)	01 - 04	I (L18)	1 12132229
	2.251	RETAINER,SPLG WIRE(RETAINS-9MM CONDUIT TO CYLS HDS(CNVLT))(RETAINS 09MM CNVLT CONDUIT) (13.090)	01 - 04	I (L18)	AR 12162698
86.	2.183	BOLT,IGN COIL(*1,2,3,4,5)(M6X1X24.5)	01 - 03	I (L18)	16 12557087
	2.183	BOLT,IGN COIL(*1,2,3,4,5)(M6X1X25-10MM SOC)	03	I (L18)	5 11516480
	2.183	BOLT,IGN COIL(*1,2,3,4,5)(M6X1X24.5)	04	I (L18)	16 12557087
	2.183	BOLT,IGN COIL(*1,2,3,4,5)(M6X1X25-10MM SOC)	04	I (L18)	5 11516480
	2.183	BOLT,IGN COIL(*10,11,12,13,14)(M6X1X25-10MM SOC)	04	I (L18)	5 11516480
	2.183	BOLT,IGN COIL(*10,11,12,13,14)(M6X1X24.5)	04	I (L18)	16 12557087
	2.183	BOLT,IGN COIL(*16,17,18,19,20)(M6X1X24.5)	04	I (L18)	16 12557087
87.	2.170	COIL,IGN(*1,2,3,4,5)(AC-DELCO #D580)	01 - 02	I (L18)	8 12558948
	2.170	COIL,IGN(*1,2,3,4,5)(CONSIST OF A COIL ONLY) (MITSUBISHI)(AC-DELCO #D581)	03 - 04	I (L18)	8 12558693
	2.170	COIL,IGN(*1,2,3,4,5) (INCLS:COILS,BOLTS,COVER,GASKET)(MITSUBISHI) (AC-DELCO #D502A)	03 - 04	I (L18)	1 12570553
	2.170	COIL,IGN(*10,11,12,13,14)(CONSIST OF A COIL ONLY) (MITSUBISHI)(AC-DELCO #D581)	04	I (L18)	8 12558693
	2.170	COIL,IGN(*10,11,12,13,14) (INCLS:COILS,BOLTS,COVER,GASKET)(MITSUBISHI) (AC-DELCO #D502A)	04	I (L18)	1 12570553
	2.170	COIL,IGN(*16,17,18,19,20)(CONSIST OF A COIL ONLY) (MITSUBISHI)(AC-DELCO #D581)	04	I (L18)	8 12558693
	2.170	COIL,IGN(*16,17,18,19,20) (INCLS:COILS,BOLTS,COVER,GASKET)(MITSUBISHI) (AC-DELCO #D502A)	04	I (L18)	1 12570553
88.	2.559	BOLT,WRG HARN BRKT(*1,2,3,4,5)(HEX,W/CONN WA,M6X1X13,10 THD,12.5 OD)(8.977)	01 - 04	I (L18)	4 11509699
	2.559	BOLT,WRG HARN BRKT(*1,2,3,4,5)(8.900)	04	I (L18)	4 11516477
	2.559	BOLT,WRG HARN BRKT(*10,11,12,13,14) (HEX,W/CONN WA,M6X1X13,10 THD,12.5 OD)(8.977)	04	I (L18)	4 11509699
	2.559	BOLT,WRG HARN BRKT(*10,11,12,13,14)(8.900)	04	I (L18)	4 11516477
	2.559	BOLT,WRG HARN BRKT(*16,17,18,19,20)(8.900)	04	I (L18)	4 11516477
89.	2.240	HARNESS,IGN COIL WRG	01	I (L18)	1 15320908

	2.240	HARNESS,IGN COIL WRG(*1,2,3,4,5)	02	I (L18)	1	12574646
	2.240	HARNESS,IGN COIL WRG(*1,2,3,4,5)	03 - 04	I (L18)	2	12578059
	2.240	HARNESS,IGN COIL WRG(*10,11,12,13,14)	04	I (L18)	2	12578059
	2.240	HARNESS,IGN COIL WRG(*16,17,18,19,20)	04	I (L18)	2	12578059
90.	2.559	CLIP,WRG HARN(*1,2,3,4,5)(X-MAS TREE PUSH IN, FITS 10MM/13MM)(2.343)	01	I (L18)	1	12160858
91.	2.530	CONNECTOR,INLINE-TO ENG HARN(*1,2,3,4,5)(7-WAY MALE, W/LEADS)(AC-DELCO #PT281)	01 - 02	I (L18)	1	12102490
92.	2.170	CONNECTOR,COIL-IGN(*1,2,3,4,5)(BLACK)(4-WAY FEMALE W/LEADS)(4.651)(AC-DELCO #PT368)	01 - 04	I (L18)	4	12102741
94.	3.336	STUD,THROT BODY(*1,2,3,4,5)	01 - 04	I (L18)	3	12551917
	3.336	STUD,THROT BODY(*1,2,3,4,5) (STRAIGHT.M6X1.0X26.5,M6X1.0X10,46 TL,STEEL,7114M)	02 - 04	I (L18)	3	25170717
	3.336	STUD,THROT BODY(*10,11,12,13,14) (STRAIGHT.M6X1.0X26.5,M6X1.0X10,46 TL,STEEL,7114M)	04	I (L18)	3	25170717
	3.336	STUD,THROT BODY(*16,17,18,19,20) (STRAIGHT.M6X1.0X26.5,M6X1.0X10,46 TL,STEEL,7114M)	04	I (L18)	3	25170717
95.	3.671	BOLT,EGR VLV OPG CVR	01 - 04			
96.	3.671	COVER,EGR VLV OPG(*1,2,3,4,5)	01 - 04	I (L18)	1	12559976
	3.671	COVER,EGR VLV OPG(*10,11,12,13,14)	04	I (L18)	1	12559976
97.	3.680	GASKET,EGR VLV PIPE(ALSO PART OF KIT1) (BETWEEN EGR BRKT & INTAKE MANIFOLD)(AC-DELCO #12558902)	01 - 04	I (L18)	1	12558902
98.	1.750	SEALER,OIL FIL TUBE (COMPOUND,ADHESIVE/SEALANT,THREAD,MED STRENGTH)(6ML)(NOTE:MUST USE)(8.800)	01 - 04	I (L18)	AR	12345382
99.	1.745	TUBE,OIL FIL(*1)	01 - 04	I (L18)	1	12573842
	1.745	TUBE,OIL FIL(*1)	03 - 04	I (L18)	1	12573841
	1.745	TUBE,OIL FIL(*10)	04	I (L18)	1	12573842
	1.745	TUBE,OIL FIL(*16)	04	I (L18)	1	12573842
	1.745	TUBE,OIL FIL(*2,3,4,5)	03	I (L18)	1	12573841
100.	1.750	BOLT,OIL FIL TUBE(*1,2,3,4,5)(M6X1X20)(8.900)	01 - 03	I (L18)	1	11514623
	1.750	BOLT,OIL FIL TUBE(*1,2,3,4,5)(M6X1.0X21,13 THD) (2.383)	02 - 04	I (L18)	1	12562852
	1.750	BOLT,OIL FIL TUBE(*10,11,12,13,14)(M6X1.0X21,13 THD) (2.383)	04	I (L18)	1	12562852
	1.750	BOLT,OIL FIL TUBE(*16,17,18,19,20)(M6X1.0X21,13 THD) (2.383)	04	I (L18)	1	12562852
101.	3.265	PLUG,INT MANIF CORE HOLE(PRESS IN CUP) (NOTE:MUST USE W/12345382 SEALANT)(CUP,32MM)	01 - 02	I (L18)	2	01647542

	(0.293)						
3.265	PLUG ,INT MANIF CORE HOLE(PRESS IN CUP) (NOTE:MUST USE W/12345382 SEALANT)(CUP,32MM) (0.293)	03	I (L18)	2	01647542		
3.265	PLUG ,INT MANIF CORE HOLE(PRESS IN CUP) (NOTE:MUST USE W/12345382 SEALANT)(CUP,32MM) (0.293)	04	I (L18)	2	01647542		
102.	3.265 PLUG ,INT MANIF CORE HOLE(NOTE:MUST USE W/12345382 SEALANT)(CUP,23.93MM)	01 - 04	I (L18)	1	93257138		
103.	NS TUBE ,PCV(PART OF #38)(NOT SERVICE)(MUST USE 12345382 SEALANT)	01 - 04	I (L18) (12562625)	1			
104.	3.265 PLUG ,INT MANIF CORE HOLE(NOTE:MUST USE 12345382 SEALANT)(3/8-18X1/2)	01 - 04	I (L18)	1	10183709		
105.	NS TUBE ,INT MANIF(NOTE:MUST USE 12345382 SEALANT)	01 - 04	I (L18) (12553840)	1			
106.	3.682 BOLT ,MAP SEN(*1,2,3,4,5)(M6X1X20)(8.900)	01 - 04	I (L18)	3	10077321		
	3.682 BOLT ,MAP SEN(*10,11,12,13,14)(M6X1X20)(8.900)	04	I (L18)	3	10077321		
	3.682 BOLT ,MAP SEN(*16,17,18,19,20)(M6X1X20)(8.900)	04	I (L18)	3	10077321		
107.	3.682 SENSOR ,MAP(*1,2,3,4,5)(INCL #108)(AC-DELCO #213- 796)	01 - 04	I (L18)	1	09359409		
	3.682 SENSOR ,MAP(*10,11,12,13,14)(INCL #108)(AC-DELCO #213-796)	04	I (L18)	1	09359409		
	3.682 SENSOR ,MAP(*16,17,18,19,20)(INCL #108)(AC-DELCO #213-796)	04	I (L18)	1	09359409		
	3.682 SENSOR ,MAP(*1,2,3,4,5)(INCL #108)(AC-DELCO #213- 796)	01 - 04	I (L18)	1	09359409		
	3.682 SENSOR ,MAP(*10,11,12,13,14)(INCL #108)(AC-DELCO #213-796)	04	I (L18)	1	09359409		
	3.682 SENSOR ,MAP(*16,17,18,19,20)(INCL #108)(AC-DELCO #213-796)	04	I (L18)	1	09359409		
108.	3.682 SEAL ,MAP SEN(*1,2,3,4,5)(PART OF 106)	01 - 04	I (L18)	1	16194007		
	3.682 SEAL ,MAP SEN(*10,11,12,13,14)(PART OF 106)	04	I (L18)	1	16194007		
	3.682 SEAL ,MAP SEN(*16,17,18,19,20)(PART OF 106)	04	I (L18)	1	16194007		
111.	3.330 HOSE ,FUEL PRESS REG VAC(*1,2,3,4,5)	01 - 04	I (L18)	1	12560420		
	3.330 HOSE ,FUEL PRESS REG VAC(*10,11,12,13,14)	04	I (L18)	1	12560420		
112.	2.480 HARNES S,M/PORT F/INJN FUEL RL WRG(*1,2,3,4,5)	01 - 03	I (L18)	1	88987502		
113.	3.270 GASKET KIT ,INT MANIF(*1,2,3,4,5)(INCLS GASKET,INT (FRT/REAR-SEAL TYPE)ALSO*(RIGHT SIDE/LEFT SIDE AIR INLET TO CYL HEAD),GASKET,EGR VLV PIPE) (INCLS 35,78,97)	01 - 04	I (L18)	1	89017310		
	3.270 GASKET ,INT MANIF(MANIFOLD TO CYL CASE-FRONT)	04	I (L18)	2	89017343		

NOTE 01: 8.1L 496 CID INDUSTRIAL- 2001 12560991 (1YD),2002 12562453 (2YD),2003 12564214 (3YD),2004 12571550 (4YD)

NOTE 02: 8.1L 496 CID BASE MARINE ENGINE-2001 12560993 (1XY),2002 12562454 (2XY),2003 12564214 (3XY),2004 12571552 (4XY)

NOTE 03: 8.1L 496 CID BASE MARINE ENGINE-2001 12560995 (1XW),2002 12562455 (2XW),2003 12564216 (3XW),2004 12571553 (4XW)

NOTE 04: 8.1L 496 CID HI-PERF/ENGINE-2001 12560997 (1XA),2002 12562456 (2XA),2003 12564217 (3XA),2004 12571554 (4XA),0000 12577556 (5XA)

NOTE 05: 8.1L 496 CID HI-PERF/ENGINE- 2001 12560999 (1XF),2002 12562457 (2XF),2003 12564218 (3XF),2004 12571688 (4XF),0000 12577257 (5XF)

NOTE 10: 8.1L 496 CID INDUSTRIAL ENGINE- 2004 12587061-INTERIM-1-(4YZ),

NOTE 11: 8.1L 496 CID BASE MARINE ENGINE-2004 12587062-INTERIM-1-(4WY)

NOTE 12: 8.1L 496 CID BASE MARINE ENGINE-2004 12587053-INTERIM-1-(4WW)

NOTE 13: 8.1L 496 CID HI-PERF/ENGINE-2004 12587064-INTERIM-1-(4WA)

NOTE 14: 8.1L 496 CID HI-PERF/ENGINE- 2004 12587065-INTERIM-1-(4WF),

RPO DEFINITIONS

L18 - ENGINE GAS, 8 CYL, 8.1L, MFI (496 CID)

638 - ENGINE, 3.8L ALL